




 **VACOLUX**®
LIGHTING

VL-8 LED LIGHT SOURCE



SNI



Color : 
White

VL - 8105 5CCT

No Flicker

High Color Rendering Index

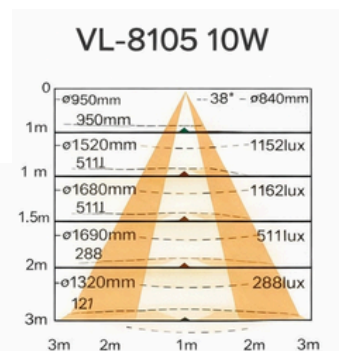
Anti-Glare

Item Number	Power	CRI	LM	Voltage	Size (mm)	CCT
VL - 8105 5CCT	10W	90	1000	220-240V	Φ95 × H117	2700K/3000K 4000K/5000K 6500K

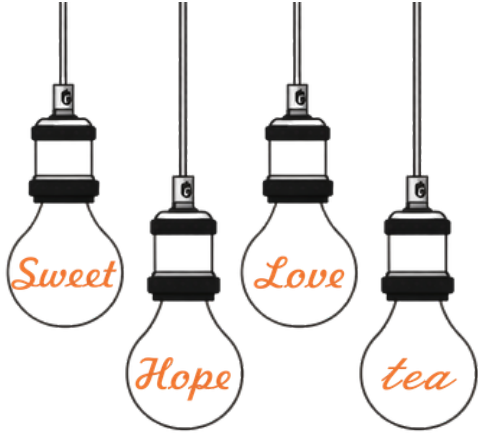
Material
PC



Product Dimension



- 2700K | Warm Light
- 3500K | Warm White
- 4000K | Neutral White
- 5000K | Day Light
- 6500K | Cool White



VL - 8010

No Flicker

High Color Rendering Index

Anti-Glare

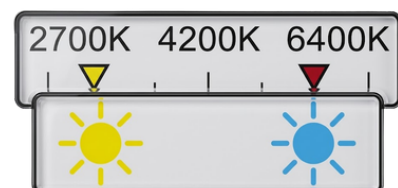
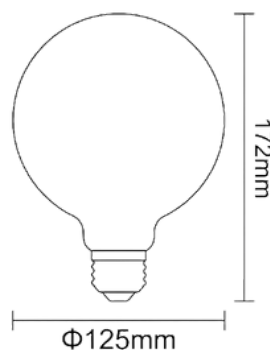
Item Number	Power	Lifetime	Socket	Voltage	Size (mm)	CCT
VL - 8010 LOVE	4W	20,000Hrs	E27	AC220-240V	Φ125 × 172	2700K
VL - 8010 TEA	4W	20,000Hrs	E27	AC220-240V	Φ125 × 172	
VL - 8010 SWEET	4W	20,000Hrs	E27	AC220-240V	Φ125 × 172	4200K
VL - 8010 HOPE	4W	20,000Hrs	E27	AC220-240V	Φ125 × 172	6400K

Material

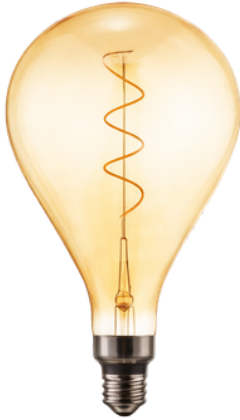
Amber Glass



Product Dimension



VL - 8007



No Flicker

VL - 8008



Anti-Glare

VL - 8009



High Color Rendering Index

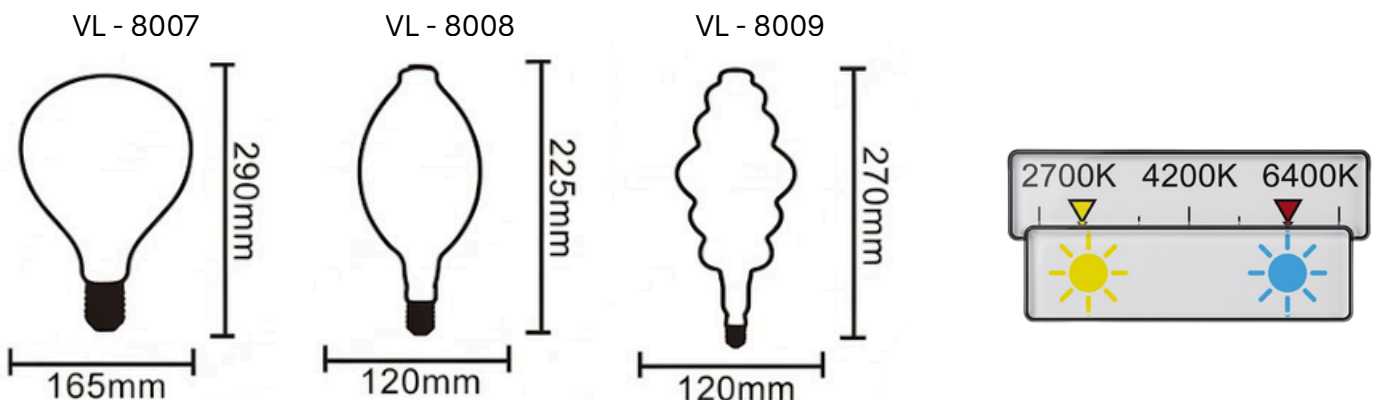
Item Number	Power	Lifetime	Socket	Voltage	Size (mm)	CCT
VL - 8007	4W	20,000Hrs	E27	AC220-240V	Φ165 × 290	2700K
VL - 8008	8W	20,000Hrs	E27	AC220-240V	Φ120 × 225	4200K
VL - 8009	8W	20,000Hrs	E27	AC220-240V	Φ120 × 270	6400K

Material

Amber Glass



Product Dimension



VL - 8011



No Flicker

VL - 8012



Anti-Glare

VL - 8013



High Color Rendering Index

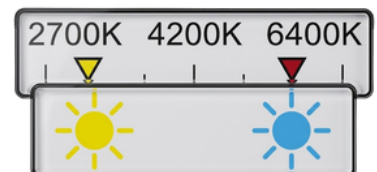
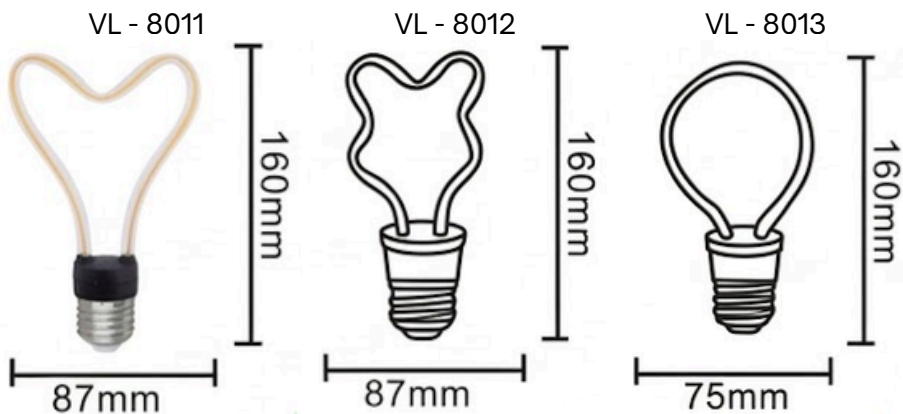
Item Number	Power	Lifetime	Socket	Voltage	Size (mm)	CCT
VL - 8011	4W	20,000Hrs	E27	AC220-240V	Φ87 × 160	2700K
VL - 8012	4W	20,000Hrs	E27	AC220-240V	Φ87 × 160	4200K
VL - 8013	4W	20,000Hrs	E27	AC220-240V	Φ75 × 160	6400K

Material

PC COVER



Product Dimension

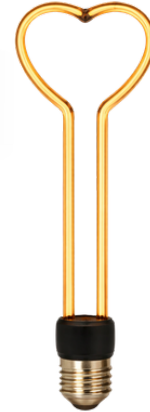


VL - 8014



No Flicker

VL - 8015



Anti-Glare

VL - 8030



High Color Rendering Index

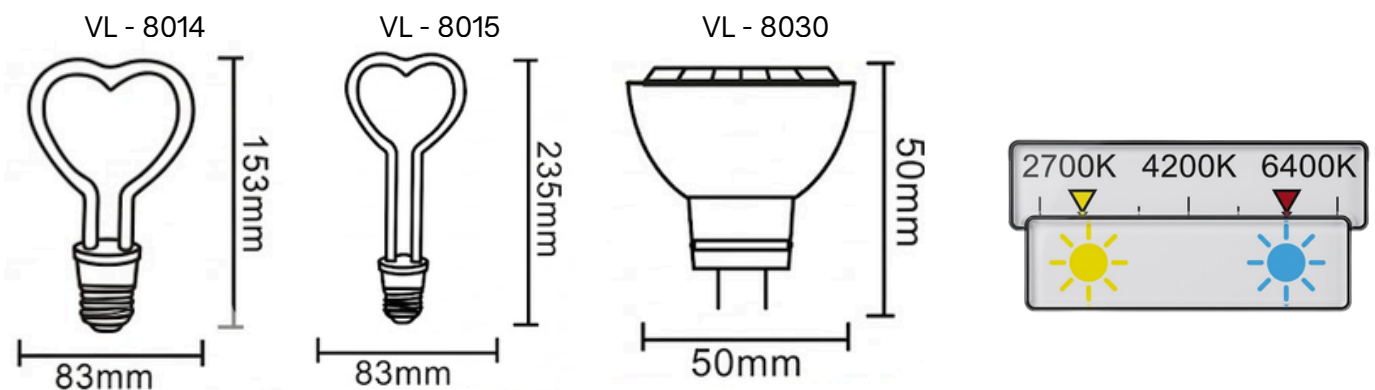
Item Number	Power	Lifetime	Socket	Voltage	Size (mm)	CCT
VL - 8014	4W	20,000Hrs	E27	AC220-240V	Φ83 × 153	2700K
VL - 8015	6W	20,000Hrs	E27	AC220-240V	Φ83 × 235	4200K
VL - 8030	7W	20,000Hrs	MR16	AC220-240V	Φ50 × 50	6400K

Material

PC COVER



Product Dimension



VL-8101-4W

VL-8101-2W

VL-8101-4W E27

VL-8101-2W E27



No Flicker

High Color Rendering Index

Anti-Glare

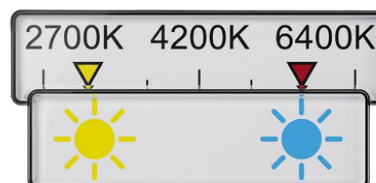
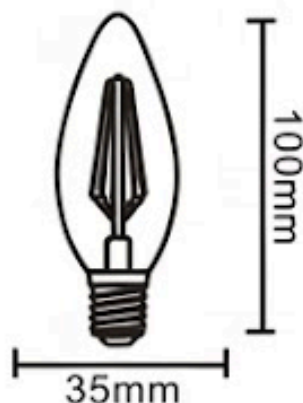
Item Number	Power	Lifetime	Socket	Voltage	Size (mm)	CCT
VL - 8101	2W	20,000Hrs	E14	AC220-240V	Φ35 × 100	2700K
VL - 8101	2W	20,000Hrs	E27	AC220-240V	Φ35 × 100	4200K
VL - 8101	4W	20,000Hrs	E14	AC220-240V	Φ35 × 100	6400K
VL - 8101	4W	20,000Hrs	E27	AC220-240V	Φ35 × 100	

Material

Clear Glass



Product Dimension



VL - 8100



VL - 8102



No Flicker

High Color Rendering Index

Anti-Glare

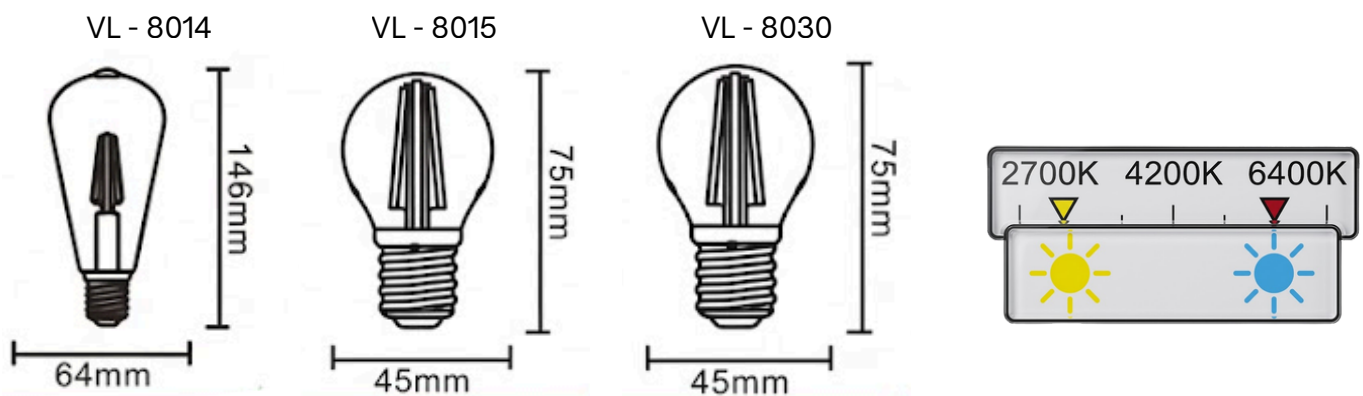
Item Number	Power	Lifetime	Socket	Voltage	Size (mm)	CCT
VL - 8102	2W	20,000Hrs	E27	AC220-240V	Φ45 × 75	2700K
VL - 8102	4W	20,000Hrs	E27	AC220-240V	Φ45 × 75	4200K
VL - 8100	4W	20,000Hrs	E27	AC220-240V	Φ64 × 146	6400K

Material

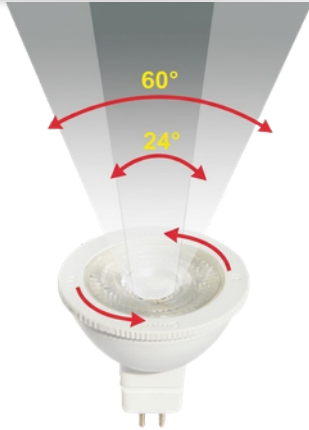
Clear Glass




Product Dimension



VL - 8108



Color : 
White


VL - 8109



No Flicker

High Color Rendering Index

Anti-Glare

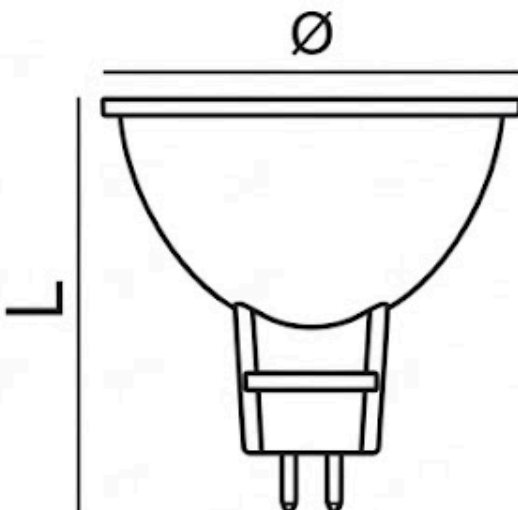
Item Number	Power	LM		Voltage	Size (mm)	CRI	CCT
VL - 8108	5W	500	24°~60°	220-240V	Φ50 × H48	90	2700K
VL - 8108	7W	650	24°~60°	220-240V	Φ50 × H48	90	3000K
VL - 8109	7W	700	15°	220-240V	Φ50 × H46	90	4000K
							6500K

Material

Body : PC / ABS



Product Dimension





Lamp Body
Color :



White

VL - 8110

No Flicker

High Color Rendering Index

Anti-Glare

Item Number	Power	CRI	Size (mm)	CCT
VL - 8110 30CM SUSU	4W	≥80	L312 × W23 × H35	3000K 6500K
VL - 8110 60CM SUSU	8W	≥80	L571 × W23 × H35	4000K 6500K
VL - 8110 90CM SUSU	12W	≥80	L872 × W23 × H35	3000K 6500K
VL - 8110 1.2M SUSU	16W	≥80	L1172 × W23 × H35	3000K 6500K

Material

flame-retardant PC



Product Dimension



L, W, H
L : Panjang
W : Lebar
H : Tinggi



Color :




White

VL - 8108

No Flicker

High Color Rendering Index

Anti-Glare

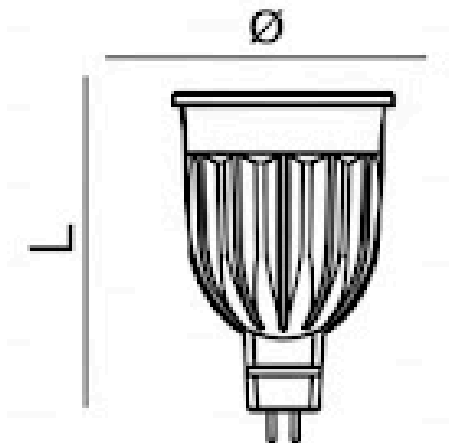
Item Number	Power	LM		Voltage	Size (mm)	CRI	CCT
VL - 8108	10W	800	24°	220-240V	Φ50 × H77	90	2700K 3000K 4000K 6500K 10000K

Material

Body : PC / ABS



Product Dimension




VL - 8112



Color : 
Black

VL - 8105



Color : 
White

No Flicker

High Color Rendering Index

Anti-Glare

Item Number	Power	Voltage	Size (mm)	Protection	CCT
VL - 8112	35W	AC180-265V	Φ95 × 120	IP44	3000K 4000K 6500K
VL - 8105	20W	AC180-265V	Φ95 × 120	IP44	3000K 4000K 6500K

Material


Body : PC / ABS



Product Dimension





Color: 
White

Changeable CCT




VL - 8105

No Flicker

High Color Rendering Index

Anti-Glare

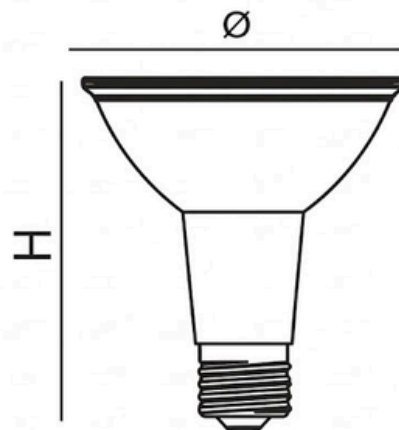
Item Number	Power	LM		Voltage	Size (mm)	CRI	CCT
VL - 8105	10W	750	38°	220-240V	Φ95 × L105	90	3000K 4000K 6500K

Material

Body : PC / ABS



Product Dimension



VL - 8115



Inner Cup
Color :



Black

Lamp Body
Color :



Gray

No Flicker

High Color Rendering Index

Anti-Glare

Item Number	Power	CRI	Size (mm)	CCT
VL - 8115	12W	24°	Φ50 × H68	3000K 4000K 6500K

Material

Diecast Aluminum



Product Dimension

