



VACOLUX®
LIGHTING

**VL-6 LED Outdoor & Industrial
Lighting**





VL - 6100A

No Flicker

High Color Rendering Index

Anti-Glare

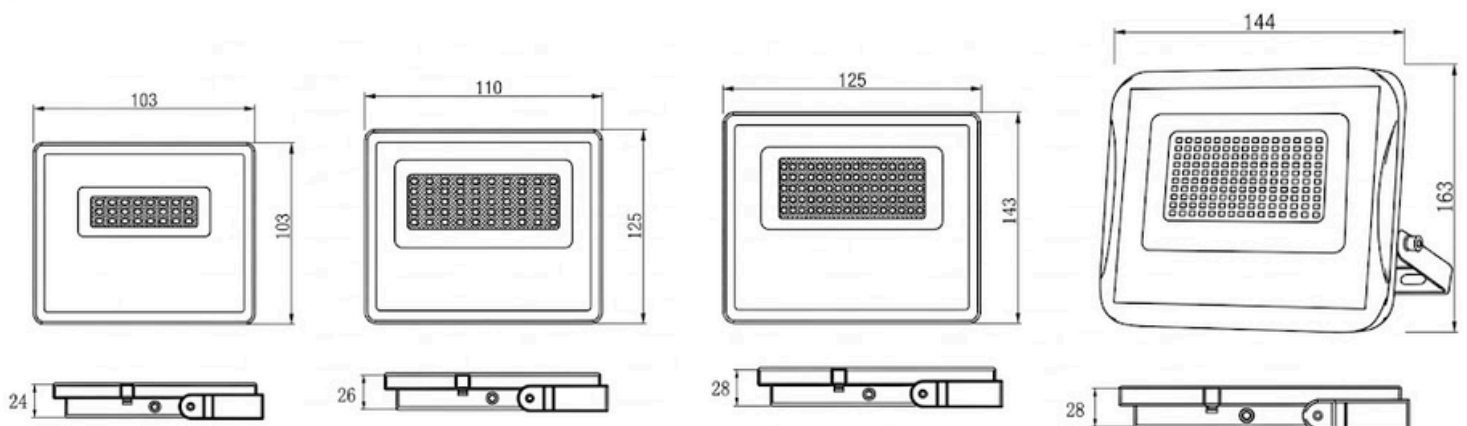
Item Number	Power	Chip	Lumen	Voltage	CRI	Beam Angle
VL - 6100A	10W	sanan	120LM/W	85-265V	≥70	120D
VL - 6100A	20W	sanan	120LM/W	85-265V	≥70	120D
VL - 6100A	30W	sanan	120LM/W	85-265V	≥70	120D
VL - 6100A	50W	sanan	120LM/W	85-265V	≥70	120D

Material

Die-cast aluminum



Product Dimension





VL - 6100A

No Flicker

High Color Rendering Index

Anti-Glare

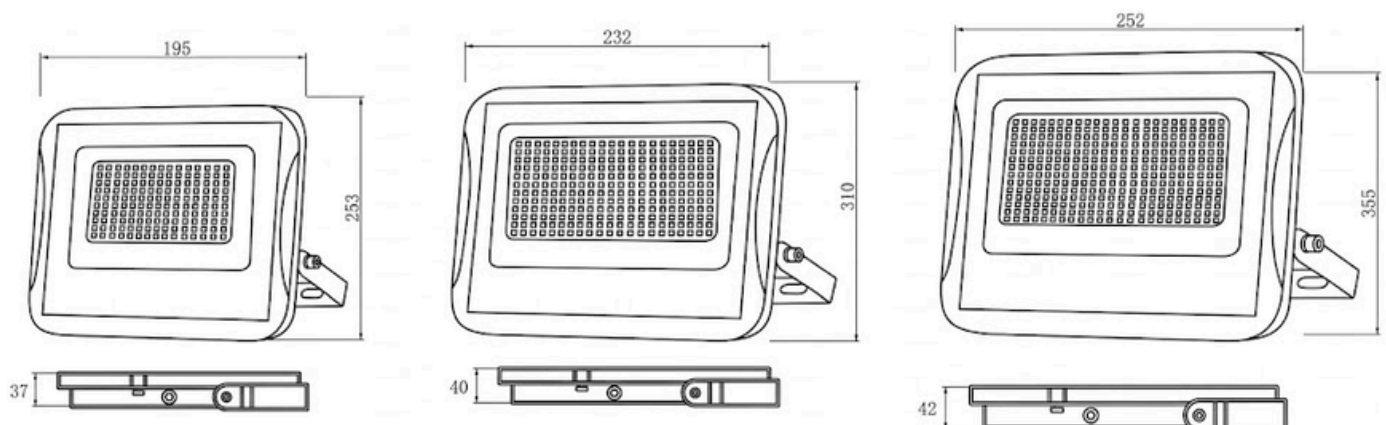
Item Number	Power	Chip	Lumen	Voltage	CRI	Beam Angle
VL - 6100A	100W	sanan	120LM/W	85-265V	≥70	120D
VL - 6100A	150W	sanan	120LM/W	85-265V	≥70	120D
VL - 6100A	200W	sanan	120LM/W	85-265V	≥70	120D

Material

Die-cast aluminum



Product Dimension





VL - 6100A

No Flicker

High Color Rendering Index

Anti-Glare

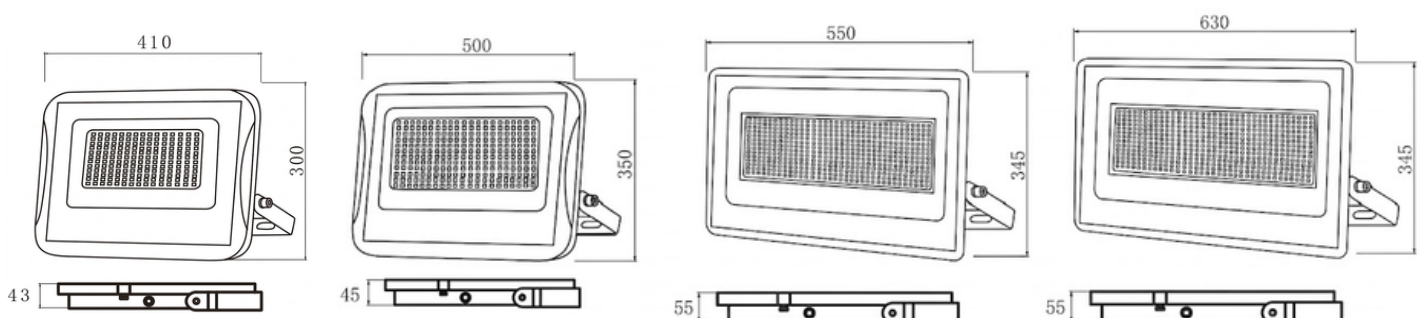
Item Number	Power	Chip	Lumen	Voltage	CRI	Beam Angle
VL - 6100A	300W	NICHIA				
VL - 6100A	400W	/				
VL - 6100A	500W	LUMILEDS	100LM/W	85-265V	≥70	120D
VL - 6100A	600W	CREE				

Material

Die-cast aluminum



Product Dimension





VL - 6101 RGB

No Flicker

High Color Rendering Index

Anti-Glare

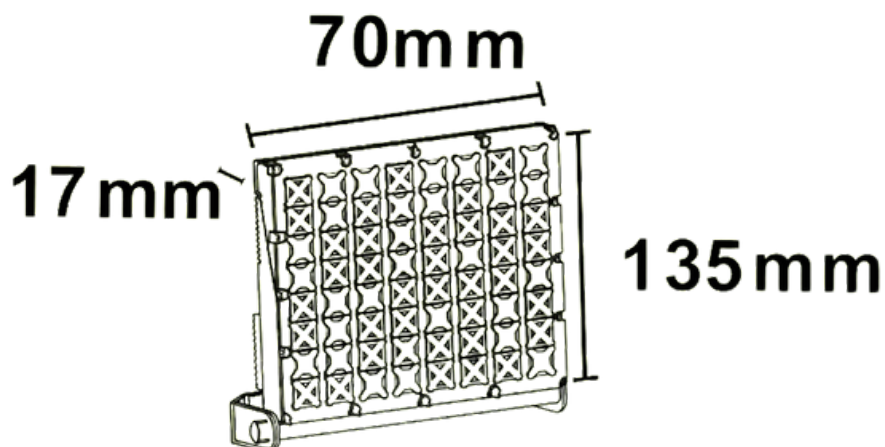
Item Number	Power	Beam Angle	Voltage	Working Temperature	Frequency
VL - 6101 RGB	50W	60 × 90°	AC220-240V	-10°C~50°C	50/60Hz

Material

Aluminum

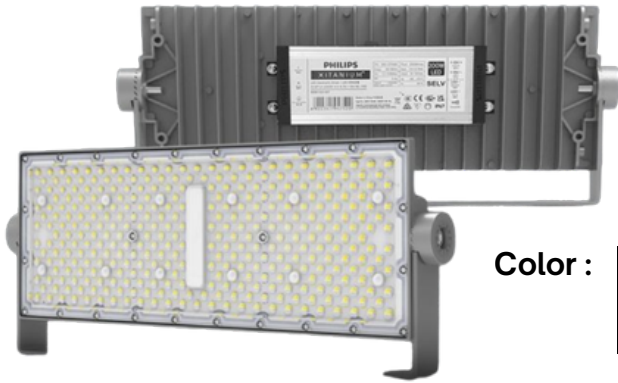
CE RoHS     
IP 66

Product Dimension



VL - 6102A

VL - 6102B



Color : 
Black

IP Grade : IP 65

No Flicker

High Color Rendering Index

Anti-Glare

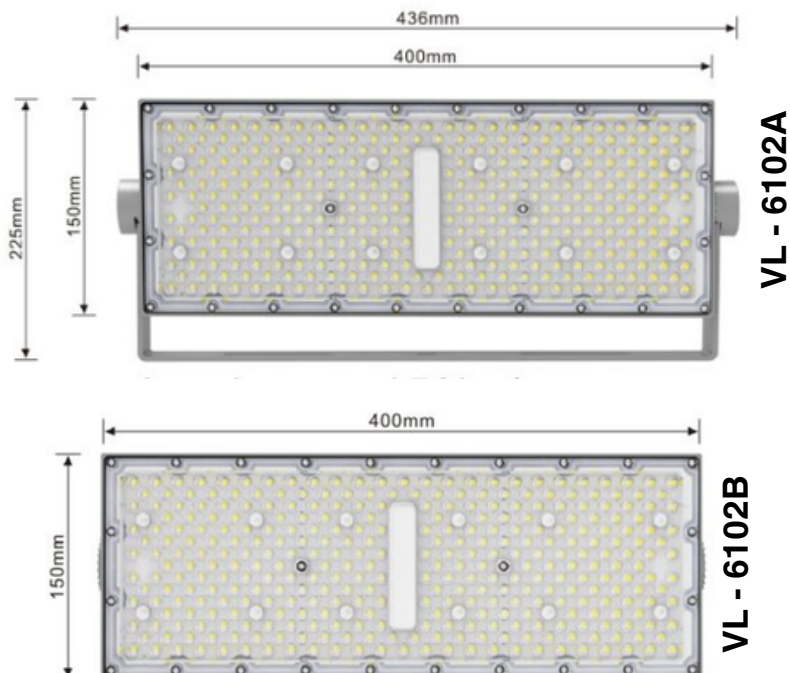
Item Number	Power	Chip Led	Luminous	Operating Temperature	Beam Angle	Voltage	Power Factor	CCT
VL - 6102A	200W	Lumileds	150lm/w	-10°C-+45°C	90°	AC100-277V	>0.9	6500K
VL - 6102B	200W	Lumileds	150lm/w	-10°C-+45°C	90°	AC100-277V	>0.9	

Material

PC



Product Dimension





VL - 6102

No Flicker

High Color Rendering Index

Anti-Glare

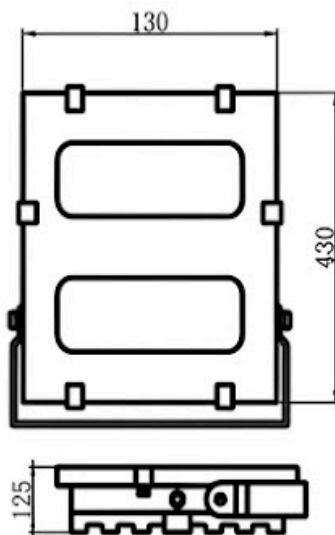
Item Number	Power	Chip	Lumen	Voltage	CRI	Beam Angle
VL - 6102	30W	NICHIA / LUMILEDS / CREE	120LM/W	85-265V	≥70	120D

Material

Die-cast aluminum



Product Dimension





VL - 6103A

No Flicker

High Color Rendering Index

Anti-Glare

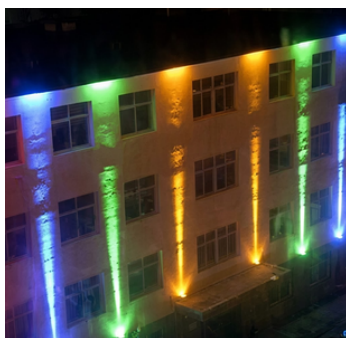
Item Number	Power	Beam Angle	IP	Voltage	Size (mm)	CCT
VL - 6103A	24W (8x3W)	3°	65	AC85-265V	150 x 90	3000K

Material

Aluminum Product



Product Dimension





VL - 6105



PHILIPS

INVENTRONICS
英飞特电子

No Flicker

High Color Rendering Index

Anti-Glare

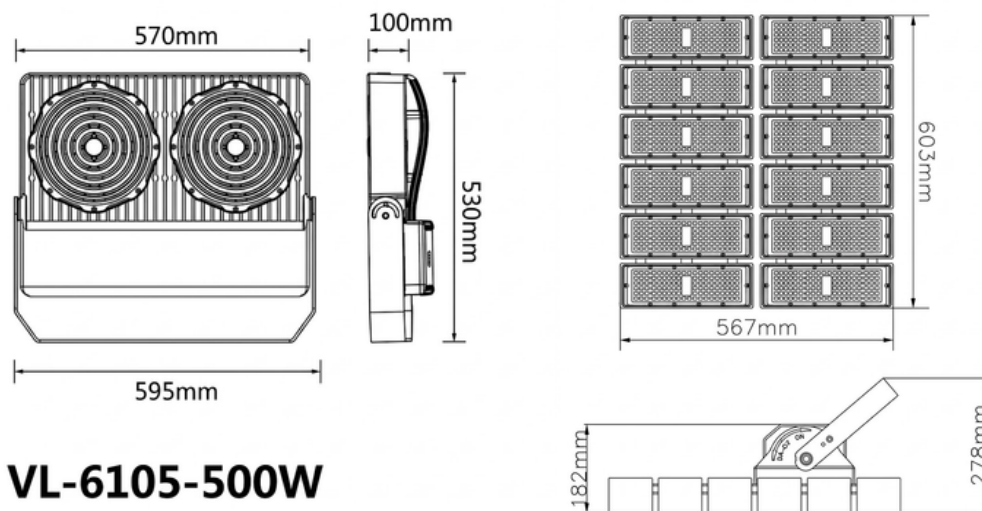
Item Number	Power	Beam Angel	Lumen	Voltage	CRI	Chip
VL - 6105	500W	60°/90°	150LM/W	85-277V	≥70	NICHIA / LUMILEDS
VL - 6105A	1000W	60°/90°	140LM/W	85-277V	≥70	CREE

Material

Die-cast aluminum



Product Dimension





Color :



Black

VL - 6202

No Flicker

High Color Rendering Index

Anti-Glare

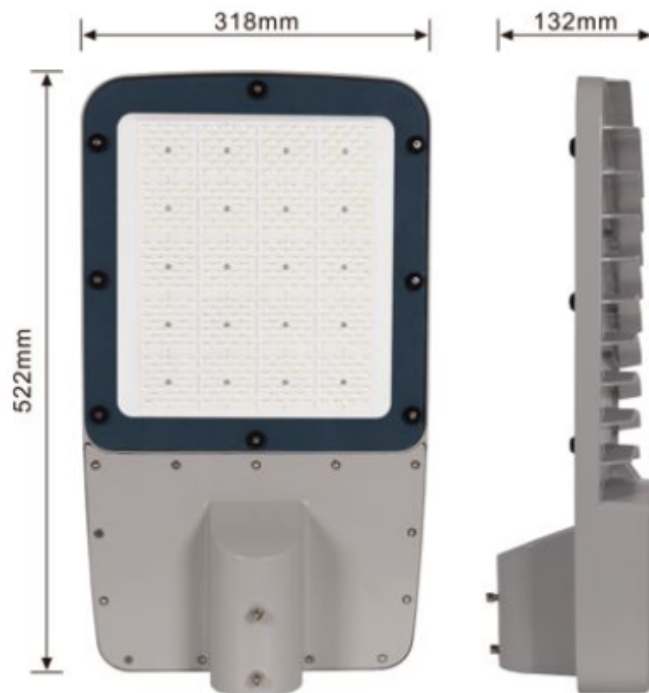
Item Number	Power	IP Grade	Luminous	Operating Temperature	Beam Angle	Voltage	Power Factor	CCT
VL - 6202	150W	IP 65	150lm/w	-10°C-+45°C	140°	AC100-277V	>0.9	6500K

Material

PC



Product Dimension





Housing
Color : 
Gray

VL - 6203

No Flicker

High Color Rendering Index

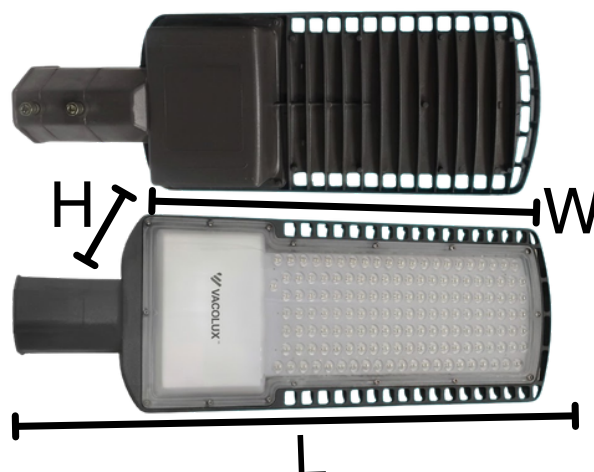
Anti-Glare

Item Number	Power	LED Type	LM	Size L×W×H(mm)	PF	Voltage	CRI	CCT
VL - 6203	30W	SMDTP/2835	100lm/w	345×128×55	0.5/0.95	AC200-265V	Ra>70	
VL - 6203	50W	SMDTP/2835	100lm/w	390×142×65	0.5/0.95	AC200-265V	Ra>70	2700K
VL - 6203	100W	SMDTP/2835	100lm/w	483×173×75	0.5/0.95	AC200-265V	Ra>70	-
VL - 6203	150W	SMDTP/2835	100lm/w	580×195×75	0.5/0.95	AC200-265V	Ra>70	6500K
VL - 6203	200W	SMDTP/2835	100lm/w	620×208×75	0.5/0.95	AC200-265V	Ra>70	

Material
Aluminum

CE RoHS    
IP Grade : IP 66

Product Dimension



VL - 6205A - 50W



VL - 6205A - 100W



Housing
Color :



Gray

VL - 6205A



VL - 6205A - 150W



VL - 6205A - 200W

No Flicker

High Color Rendering Index

Anti-Glare

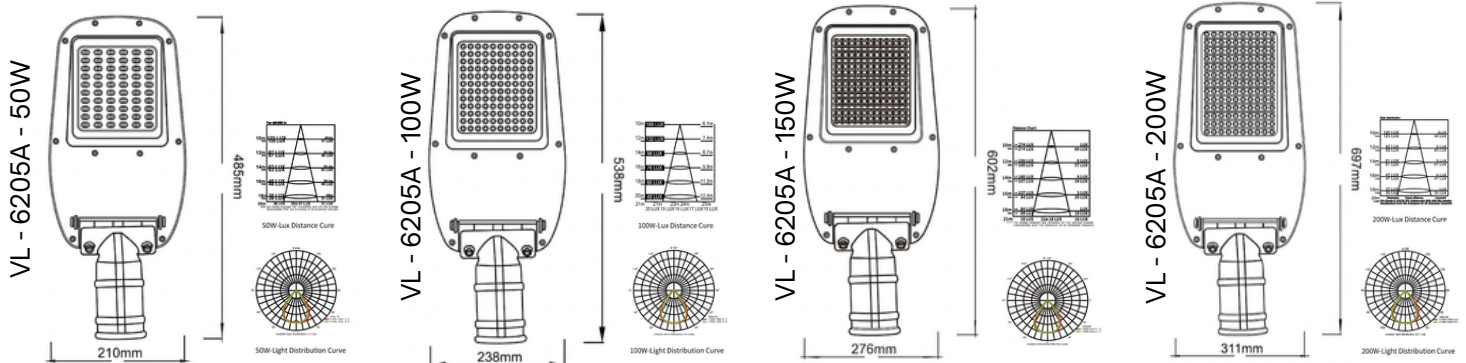
Item Number	Power	Chips	Luminous Flux	Size of Lamp (mm)	Beam Angle	Voltage	CRI	CCT
VL - 6205A	50W	Lumileds	5000lm	485x210x70	90°	185-265V	Ra>85	3000K
VL - 6205A	100W	Lumileds	10000lm	538x238x102	90°	185-265V	Ra>85	4000K
VL - 6205A	150W	Lumileds	15000lm	602x276x105	90°	185-265V	Ra>85	6000K
VL - 6205A	200W	Lumileds	20000lm	697x311x112	90°	185-265V	Ra>85	

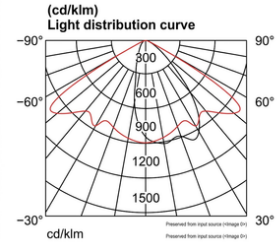
Material

Aluminum

CE RoHS
IP Grade : IP 65

Product Dimension





VL - 6209

No Flicker

High Color Rendering Index

Anti-Glare

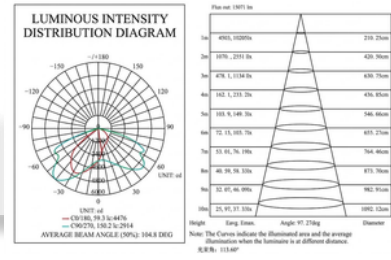
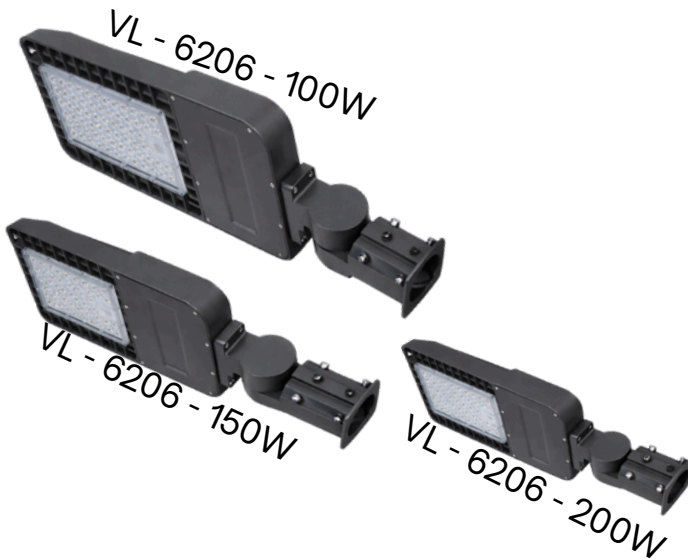
Item Number	Power	LED Type	LM	Size (mm)	PF	Voltage	CRI	CCT
VL - 6209	24W	SMD6730	100lm/w	400x180x37	0.95	AC85-265V	Ra>70	2700K
VL - 6209	50W	SMD6730	100lm/w	500x220x40	0.95	AC85-265V	Ra>70	7500K

Material
Aluminum

CE RoHS
IP Grade : IP 65

Product Dimension





VL - 6206



No Flicker

High Color Rendering Index

Anti-Glare

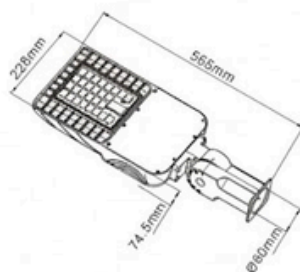
Item Number	Power	Chip	Lumen	Voltage	CRI	Beam Angle
VL - 6206 - 50W	50W~80W	NICHIA				
VL - 6206 - 100W	100W~150W	LUMILEDS	145LM/W	85-277V	≥70	70×140°
VL - 6206 - 200W	180W~200W	CREE				

Material

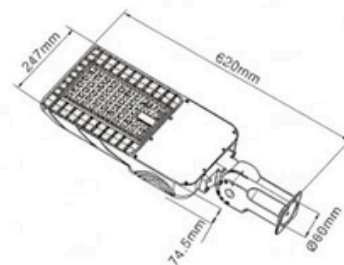
Die-cast aluminum



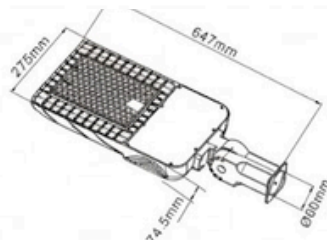
Product Dimension



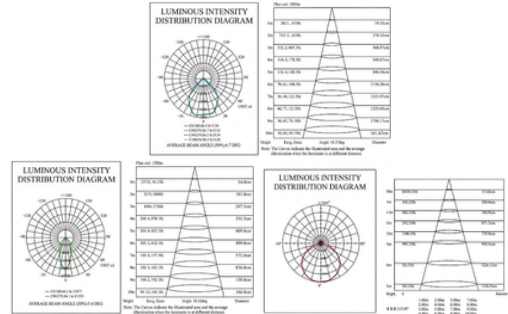
VL-6206-50W



VL-6206-100W



VL-6206-200W



VL - 6400



No Flicker

High Color Rendering Index

Anti-Glare

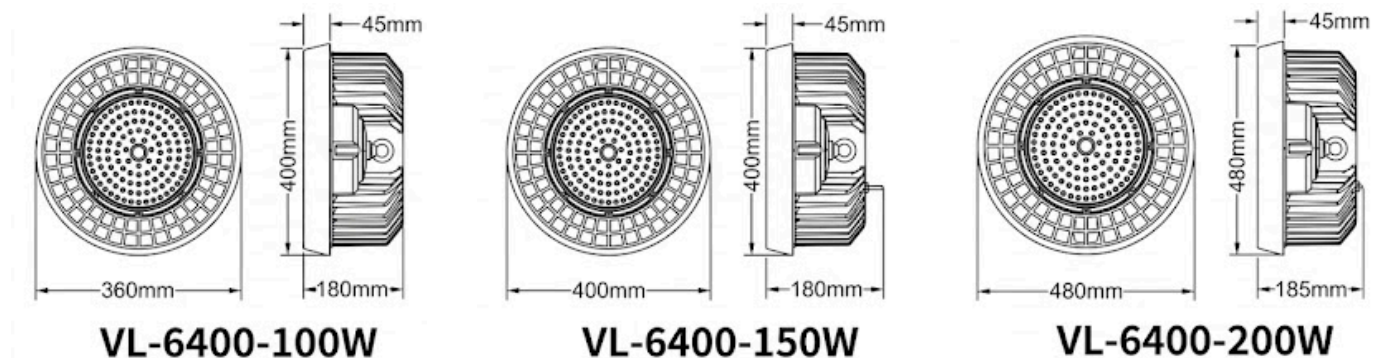
Item Number	Power	Chip	Lumen	Voltage	CRI	Beam Angle
VL - 6400 - 100W	80W~130W	NICHIA				
VL - 6400 - 150W	150W~190W	LUMILEDS	120LM/W	85-277V	≥70	60°/70°/120°
VL - 6400 - 200W	200W~240W	CREE				

Material

Die-cast aluminum



Product Dimension





VL - 6401

No Flicker

High Color Rendering Index

Anti-Glare

Item Number	Power	Size (mm)	Protection
VL - 6401	100W	240 × 66	IP65
VL - 6401	150W	290 × 72	IP65
VL - 6401	200W	320 × 72	IP65

Material

Body : *Aluminum*



Product Dimension





VL - 6402A

No Flicker

High Color Rendering Index

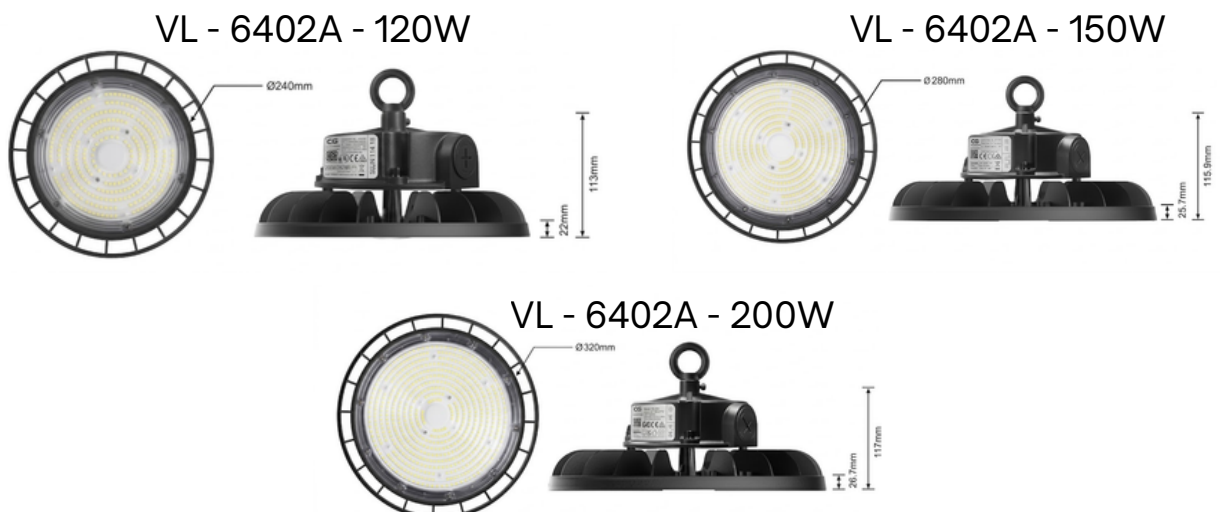
Anti-Glare

Item Number	Power	IP Grade	Luminous	Operating Temperature	Beam Angle	Voltage	Power Factor	CCT
VL - 6402A	120W	IP 65	150-200 lm/w	-10°C-+45°C	90°	AC100-277V	>0.9	
VL - 6402A	150W	IP 65	150-200 lm/w	-10°C-+45°C	90°	AC100-277V	>0.9	6500K
VL - 6402A	200W	IP 65	150-200 lm/w	-10°C-+45°C	90°	AC100-277V	>0.9	

Material
Aluminum



Product Dimension





VL - 6403A

No Flicker

High Color Rendering Index

Anti-Glare

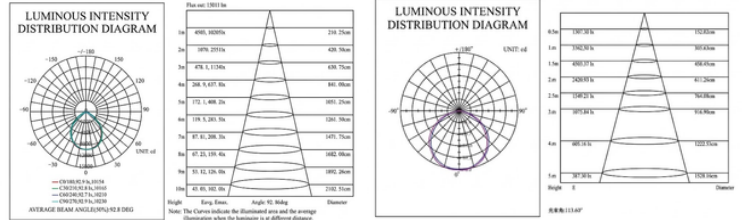
Item Number	Power	IP Grade	Luminous	Operating Temperature	Beam Angle	Voltage	Power Factor	CCT
VL - 6403A	100W	IP 65	110lm/w	-10°C-+45°C	90°	AC85-277V	>0.9	3000K 6500K

Material
Aluminum



Product Dimension





VL - 6405



No Flicker

High Color Rendering Index

Anti-Glare

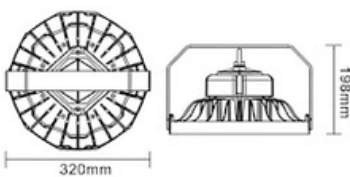
Item Number	Power	Chip	Lumen	Voltage	CRI	Beam Angle
VL - 6405	150W	NICHIA /				
VL - 6405	250W	LUMILEDS / CREE	150LM/W	85-277V	≥70	60°/90°

Material

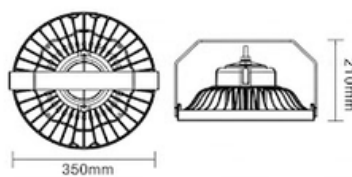
Die-cast aluminum



Product Dimension



VL-6405-100~150W



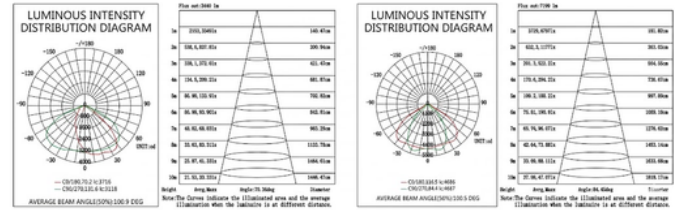
VL-6405-200~240W



VL-6405-100~150W



VL-6405-200~220W



VL - 6208

Anti Thunder : 20000V

No Flicker

High Color Rendering Index

Anti-Glare

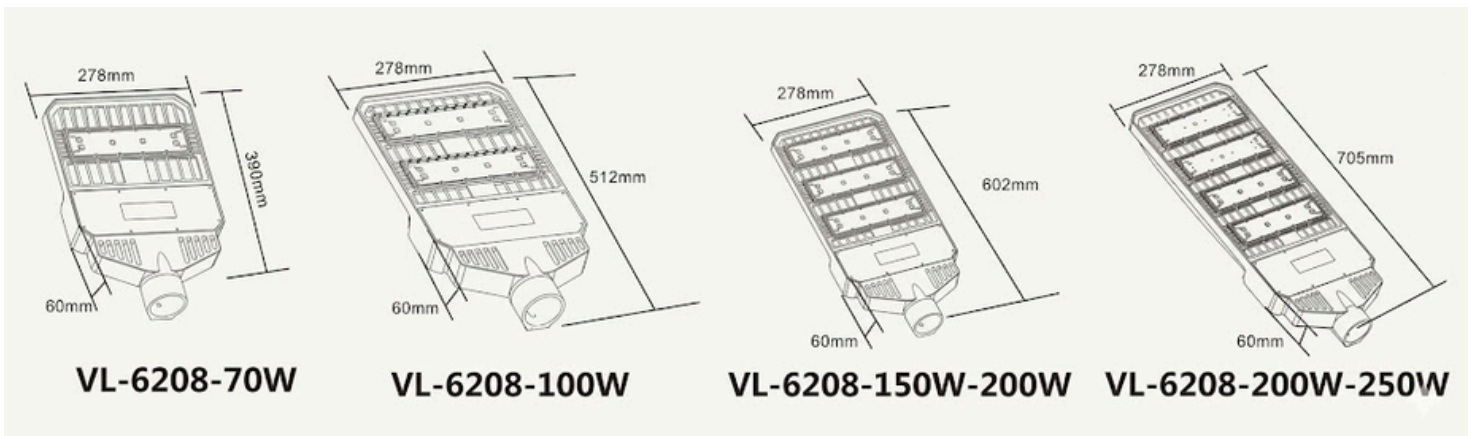
Item Number	Power	Chips	Luminous Flux	Power Factor	Beam Angle	Voltage	CRI	CCT
VL - 6208 - 70W	50W/60W /70W	PHILIPS LUMILEDS	120lm/w	0.95	90×120° / 80×150°	85-295V	≥85	6500K 3000K
VL - 6208 - 100W	100W							
VL - 6208 - 150W-200W	150W-200W							
VL - 6208 - 200W-250W	200W-250W							

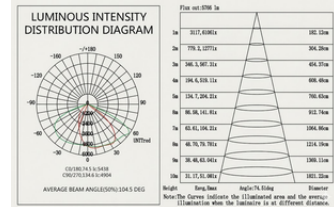
Material

Die-casting Aluminum

CE RoHS
Pipe Diameter : 63mm

Product Dimension





VL - 6201

Protection : IP65

No Flicker

High Color Rendering Index

Anti-Glare

Item Number	Power	Pipe Size (mm)	Input Voltage	Output Voltage	Beam Angle	Working Temp	LM	CCT
VL - 6201	42x1W	Φ61	AC85-265V DC12V	DC21-36V	140°x90°	-30~50°C	4200	3000K 6500K

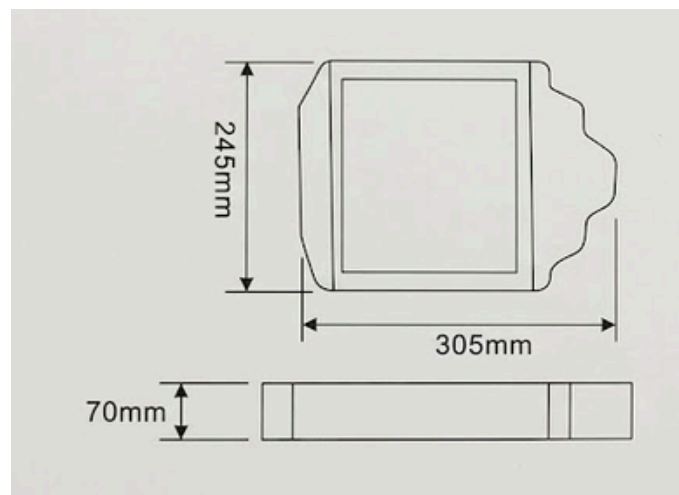
Material

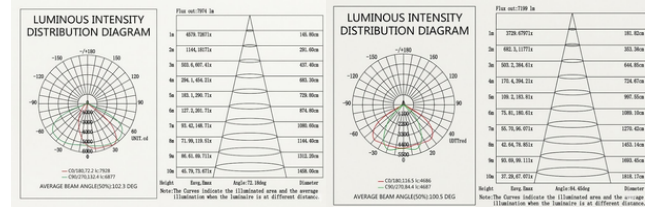
Aluminum + Toughened Glass
Power Factor : 0,95

CE RoHS

Life Span : >50000H
Ra ≥75

Product Dimension





VL - 6201

Protection : IP65

No Flicker

High Color Rendering Index

Anti-Glare

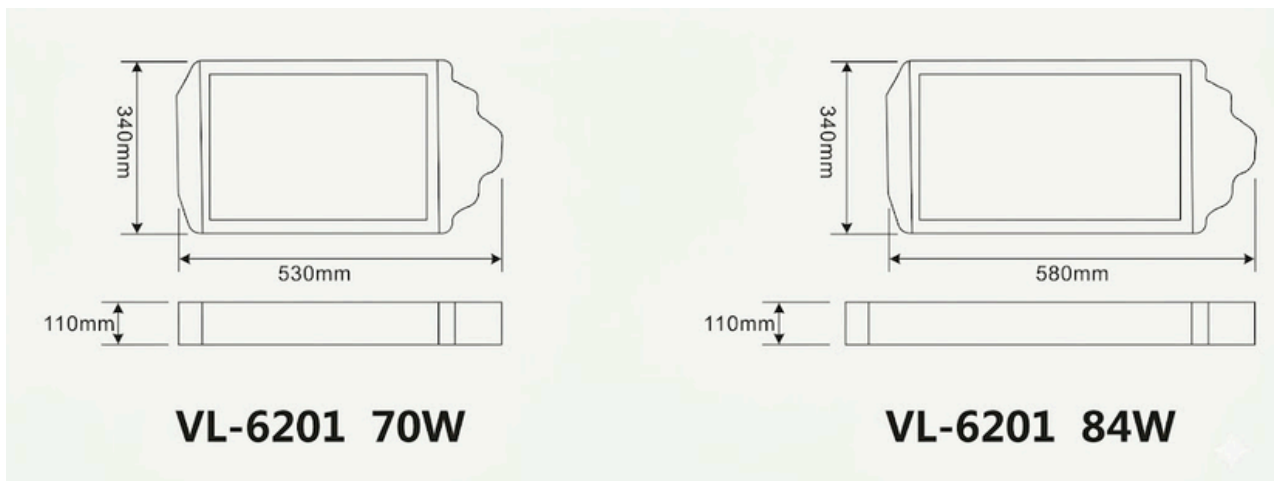
Item Number	Power	Pipe Size (mm)	Input Voltage	Output Voltage	Beam Angle	Working Temp	LM	CCT
VL - 6201	70x1W	Φ64	AC85-265V DC12V	DC21-36V	140°x90°	-30~50°C	7000	3000K
VL - 6201	84x1W	Φ64	AC85-265V DC12V	DC21-36V	140°x90°	-30~50°C	8400	6500K

Material

Aluminum + Toughened Glass
Power Factor : 0,95

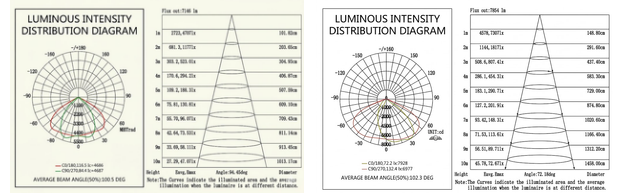
CE RoHS
Life Span : >50000H
Ra ≥ 75

Product Dimension



VL-6201 70W

VL-6201 84W



VL - 6207

Protection : IP65

No Flicker

High Color Rendering Index

Anti-Glare

Item Number	Power	Chip	Input Voltage	Power Factor	Beam Angle	Working Temp	LM	CCT
-------------	-------	------	---------------	--------------	------------	--------------	----	-----

VL - 6207	100W	SHARP	AC100~265V	0.6-0.9	8°/60°/120°	-30~50°C	11880	3000K 6000K
-----------	------	-------	------------	---------	-------------	----------	-------	----------------

Material

Aluminum
Ra : >80

CE RoHS
Life Span : >50000H

Product Dimension

