



VACOLUX[®]
LIGHTING

VL-5 LED GARDEN LIGHT

SNI

VL - 5209



Color :



Black

VL - 5209

Environmental Protection

Energy Saving

Simple installation

Item Number	Power	Size (mm)	CCT
-------------	-------	-----------	-----

VL - 5209

18W RGB

Φ230 × 50

3000K

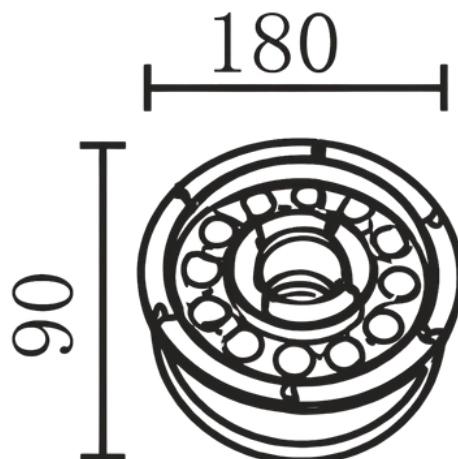
Material

Body : Plastik



Protection : IP 65

Product Dimension



VL - 5101 30°



VL - 5101 120°



MR16



No Flicker

High Color Rendering Index

Anti-Glare

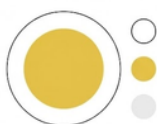
Item Number	Power	Voltage	Color Temp	IP
VL - 5101 30°	6W	AC220V	WH/WW	IP65
VL - 5101 120°	6W	AC220V	WH/WW	IP65
MR16	/	AC220V	WH/WW	IP65

Material

Diecast Aluminum

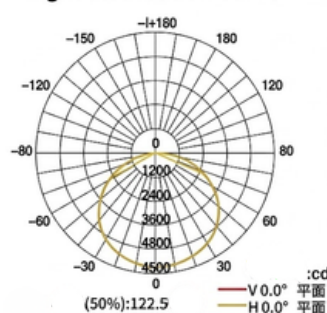


Product Detail

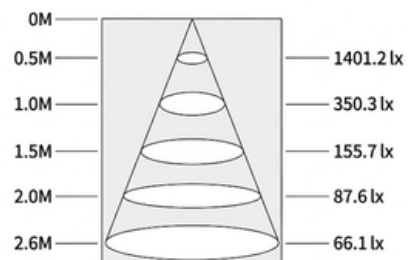


White
Warm White
Neutral Light

Light distribution curve



Illumination analysis





Color : 
Black

VL - 5101

No Flicker

High Color Rendering Index

Anti-Glare

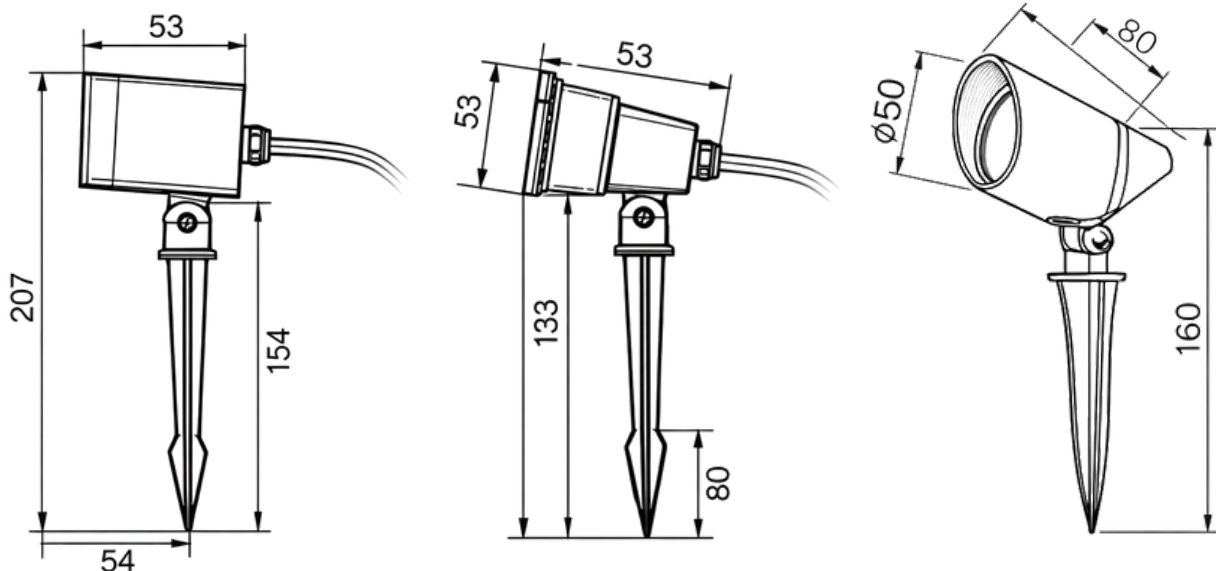
Item Number	Beam Angle	Power	IP Grading	Voltage	Size (mm)	CCT
VL - 5101A	70°	5W	IP 65	AC100-240V	53 × 53 × 207	3000K
VL - 5101B	62.1°	5W	IP 65	AC100-240V	53 × 53 × 133	4000K
VL - 5101C	29.6°	5W	IP 65	AC100-240V	160 × 80 × Ø50	6000K

Material

PC



Product Dimension





Surface Finish : 
MatteBlack

VL - 5203

No Flicker

High Color Rendering Index

Anti-Glare

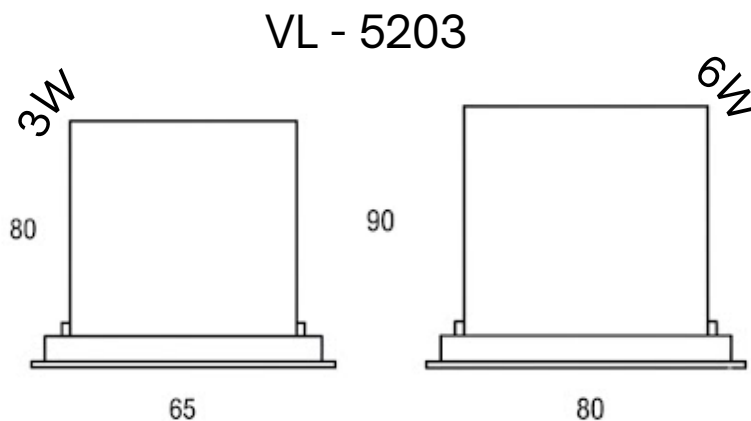
Item Number	Power	Beam Angle	Size (mm)	Luminous Flux	Led Type
VL - 5203	3W	30°	W65 × H80	210lm	COB
VL - 5203	6W	30°	W80 × H90	450lm	COB

Material

Die-casting Aluminum

CE RoHS 
Protection Class : IP 65

Product Dimension





VL - 5103

No Flicker

High Color Rendering Index

Anti-Glare

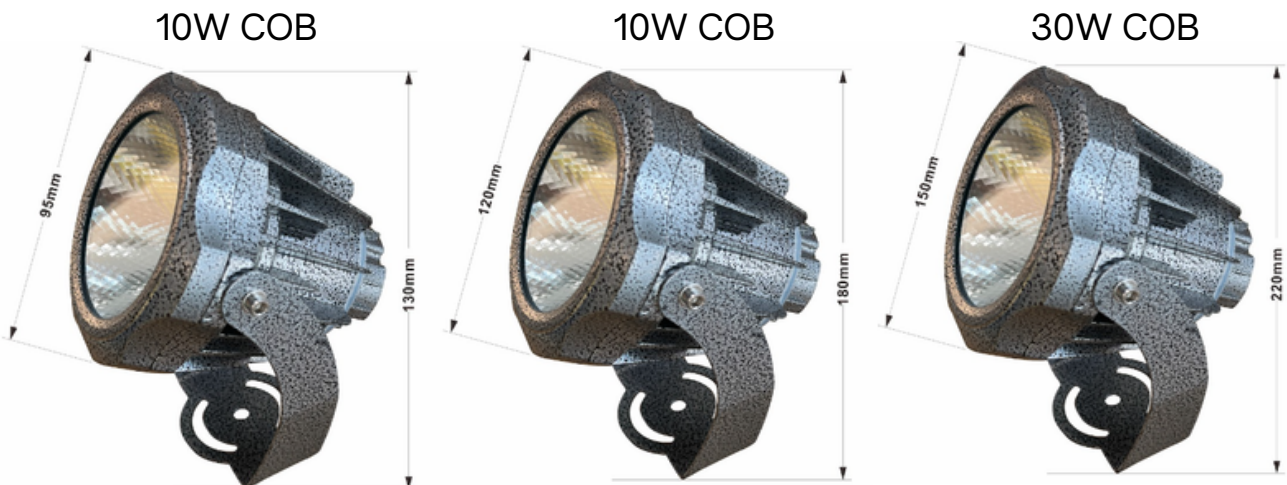
Item Number	Power	Beam Angle	IP	Voltage	Size (mm)	CCT
VL - 5103	10W COB	20°	65	AC85-265V	Φ95 × H130	
VL - 5103	20W COB	20°	65	AC85-265V	Φ120 × H180	3000K
VL - 5103	30W COB	20°	65	AC85-265V	Φ150 × H220	

Material

Aluminum Product



Product Dimension





VL - 5104

No Flicker

High Color Rendering Index

Anti-Glare

Item Number	Power	Beam Angle	IP	Voltage	Size (mm)	CCT
VL - 5104	1 × 10W	3°	65	AC85-265V	Φ70 × H180	300K BLUE WHITE

Material

Aluminum Product



Product Dimension





VL - 5200B

No Flicker

High Color Rendering Index

Anti-Glare

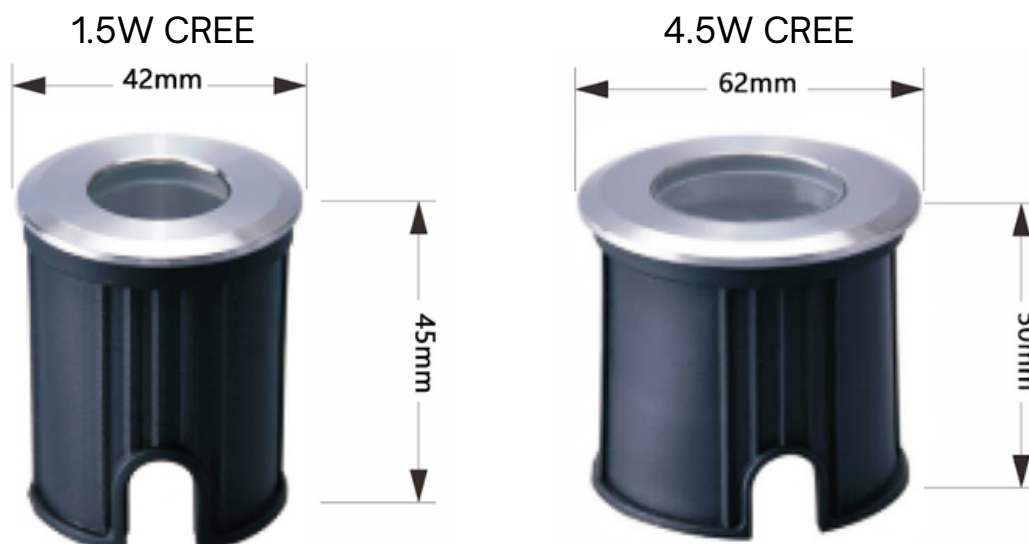
Item Number	Power	Beam Angle	IP	Voltage	Size (mm)	CCT
VL - 5200B	1.5W CREE	24°	68	DC12V	Φ42 × H45	2700K
VL - 5200B	4.5W CREE	24°	68	DC12V	Φ62 × H50	

Material

Aluminum Product



Product Dimension





Color : 
Black

VL - 5201

Environmental Protection

Energy Saving

Simple installation

Item Number	Power	LM	Voltage	A	B	C	CCT
VL - 5201 1HOLE	3W	270-300	85-265V 50/60Hz	45	45	78	3000K BLUE YELLOW
VL - 5201 2HOLE	3W	270-300	85-265V 50/60Hz	45	45	78	
VL - 5201 3HOLE	3W	270-300	85-265V 50/60Hz	45	45	78	

Material

Body : Aluminum

Powered by : Bridgelux



IP 54



VL - 5202

No Flicker

High Color Rendering Index

Anti-Glare

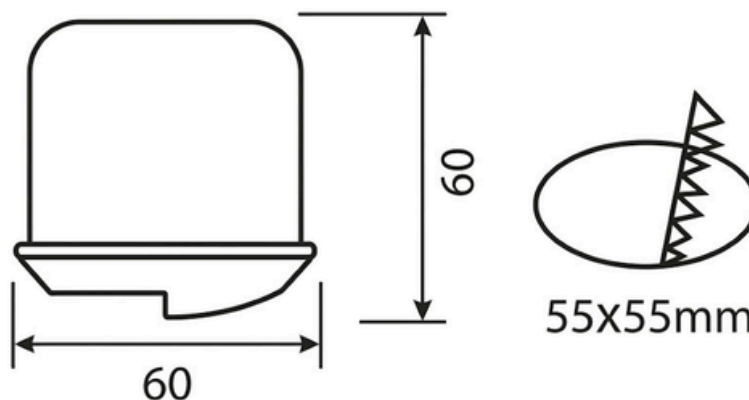
Item Number	Power	Led Type	Size (mm)	Beam Angle	Surface Finish
VL - 5202	3W	COB	W60 × H60	90°	Matte white + Black

Material

Die - casting Aluminum



Product Dimension



VL - 5205A



VL - 5205C



VL - 5205B



No Flicker

High Color Rendering Index

Anti-Glare

Item Number	Power	Beam Angle	IP	Voltage	Size (mm)	CCT
VL - 5205A	MR16 or GU10	60°	65	AC85-265V	Φ75 × H110	3000K
VL - 5205B						
VL - 5205C						

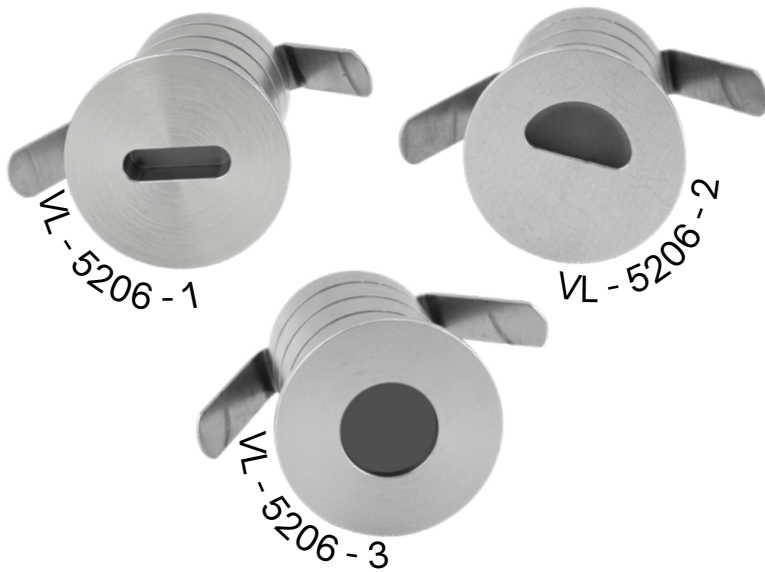
Material

Stainless steel 316#

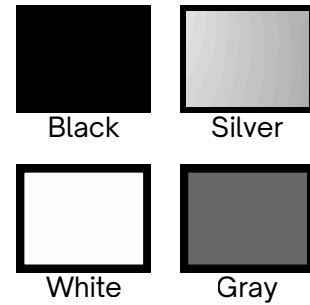


Product Dimension





Color :



VL - 5206

No Flicker

High Color Rendering Index

Anti-Glare

Item Number	Watt	Lumens	Voltage	Size (mm)	Open Hole Size (mm)	CCT
VL - 5206 - 1						WW/ CW/NW /R/G/B/ Y/RGB
VL - 5206 - 2	2W	90-100lm/W	AC85-265V/ DC12V-24V	Φ35×H58	Φ30×H58	
VL - 5206 - 3						

Material

*Stainless steel + Aluminum
Plastik shell + tempered glass*

CE RoHS
IP GRADE : IP65-IP67

Product Dimension



LED TYPE : High Power COB
Epistar/Bridgelux/CREE



Color :



Black

VL - 5212

No Flicker

High Color Rendering Index

Anti-Glare

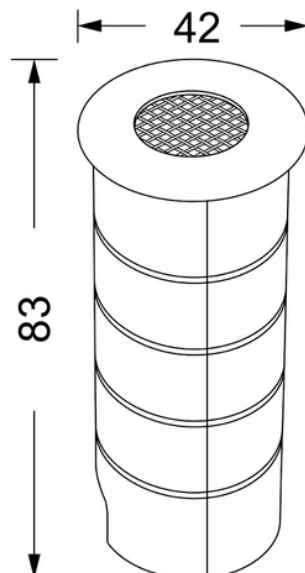
Item Number	Watt	Lumen	CRI	Voltage	Product Size (mm)	Chip
VL - 5212	1W	75lm/w	Ra80	AC100-240V	D42 × H83	SMD Chip

Material

PMMA + Aluminum

CE RoHS 
IP Grading : IP65

Product Dimension





Color :



Black



Gray

VL - 5105

No Flicker

High Color Rendering Index

Anti-Glare

Item Number	Watt	Beam Angle	IP Grading	Voltage	Product Size (mm)	Chip
VL - 5105	7W	30°	IP 65	AC220-240V	60 × H205	DOB Chip

Material

PC + Aluminum



Product Dimension

