



VACOLUX[®]
LIGHTING

VL-4 LED WALL LIGHT





Color :



White



Black

VL - 4000

Enviromental Protection

Energy Saving

Simple installation

Item Number	Power	LM	CCT	CRI	Voltage	PF	A (mm)	B (mm)	C (mm)
VL - 4000 MR16	MAX50W	-	-	-	-	-	68	81	92
VL - 4000 2xMR16	MAX50W	-	-	-	-	-	68	150	92

Material

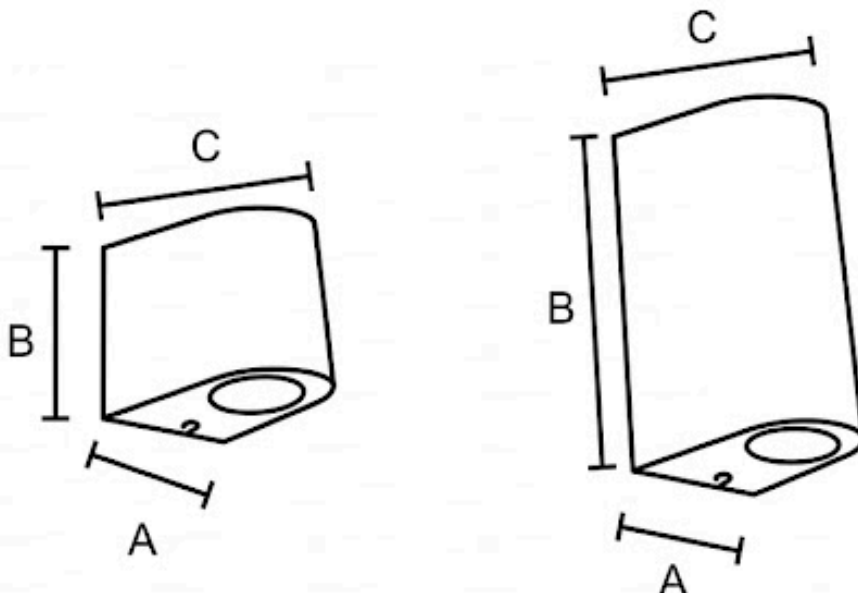
Body : *Die casting Aluminum*

Diffuse : *Glass*




Protection class : IP 65

Product Dimension





Color : 
Black

VL - 4000A

Environmental Protection

Energy Saving

Simple installation

Item Number	Power	Protection	Voltage	Size (mm)
VL - 4000A	E27	IP65	AC85 - 265V 50/60Hz	Φ90 × H300
VL - 4000B	E27	IP65	AC85 - 265V 50/60Hz	Φ90 × H300

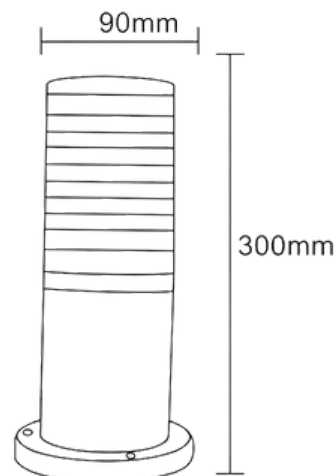
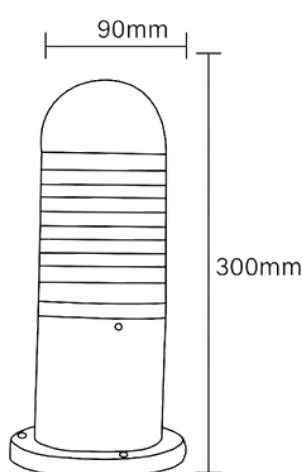
Material

Body : *Die casting Aluminum*

Diffuse : *Glass*



Product Dimension





Color :



Black

VL - 4001A

Environmental Protection

Energy Saving

Simple installation

Item Number	Power	Size (mm)	Voltage	CCT
VL - 4001A	6W	Φ90 × H300	AC85 - 265V 50/60Hz	3000K 4000K
VL - 4001A	6W	Φ90 × H800	AC85 - 265V 50/60Hz	6500K

Material

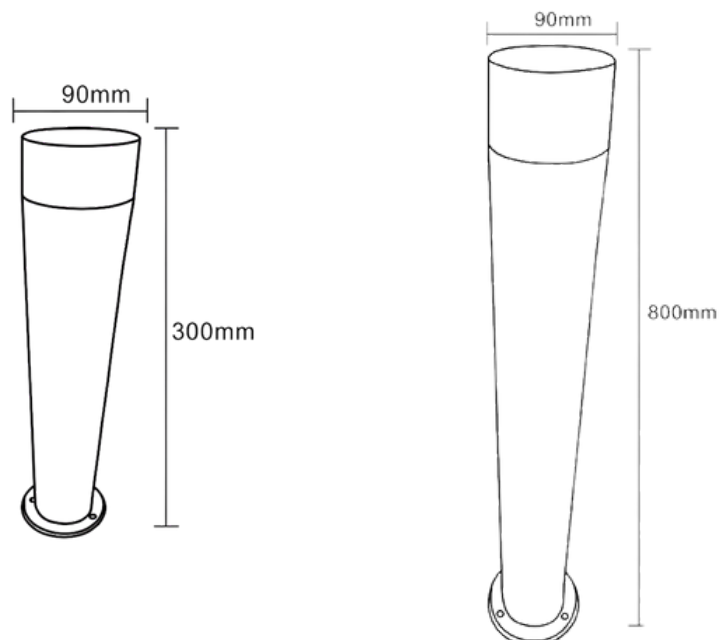
Body : *Die casting Aluminum*

Diffuse : *Glass*



Protection : IP 65

Product Dimension





Color :



Black

VL - 4001B

Environmental Protection

Energy Saving

Simple installation

Item Number	Power	Size (mm)	Voltage	CCT
VL - 4001B	6W	Φ90 × H300	AC85 - 265V 50/60Hz	3000K 4000K
VL - 4001B	6W	Φ90 × H800	AC85 - 265V 50/60Hz	6500K

Material

Body : *Die casting Aluminum*

Diffuse : *Glass*



Protection : IP 65

Product Dimension





VL - 4002 - MR16



VL - 4002 - 2xMR16

Color :



White



Black

VL - 4002

Enviromental Protection

Energy Saving

Simple installation

Item Number	Power	LM	CCT	Voltage	PF	A (mm)	B (mm)	C (mm)
VL - 4002 MR16	MAX50W	-	-	-	-	68	81	92
VL - 4002 2xMR16	MAX50W	-	-	-	-	68	150	92

Material

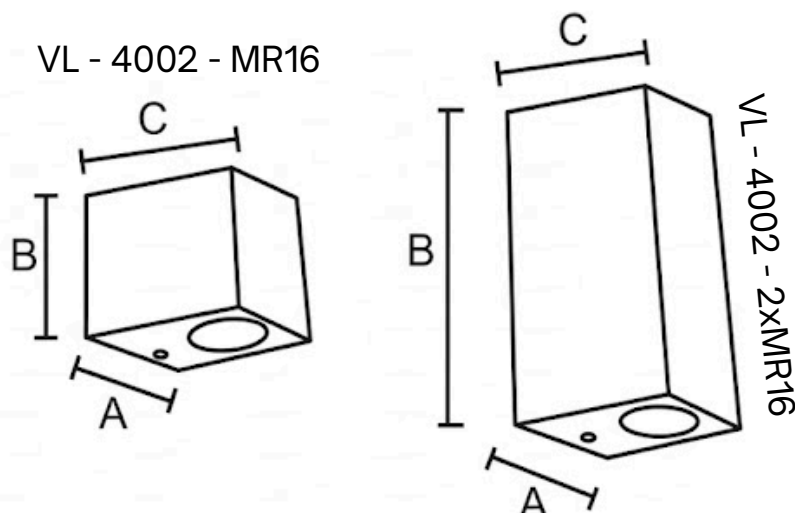
Body : *Die casting Aluminum*

Diffuse : *Glass*



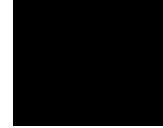
Protection class : IP 65

Product Dimension





Color :



Black

VL - 4003

Enviromental Protection

Energy Saving

Simple installation

Item Number	Power	Size (mm)	Voltage	CCT
VL - 4003	1x6W	Φ90 × H145	AC85 - 265V 50/60Hz	3000K 4000K
VL - 4003	2x6W	Φ90 × H200	AC85 - 265V 50/60Hz	6500K

Material

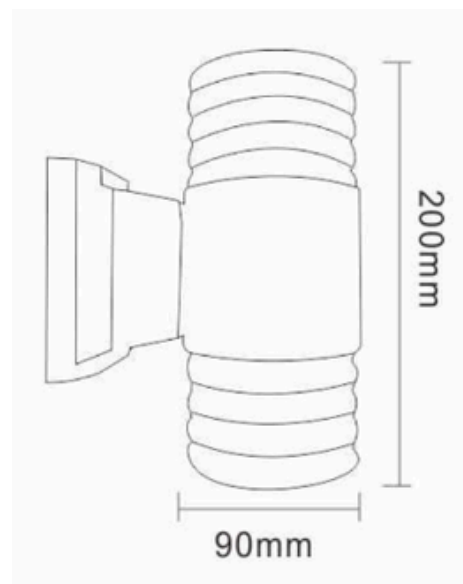
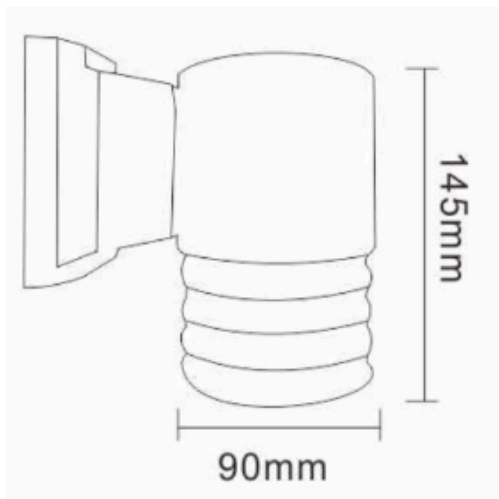
Body : *Die casting Aluminum*

Diffuse : *Glass*



Protection : IP 65

Product Dimension





Color :



Black

VL - 4004

Enviromental Protection

Energy Saving

Simple installation

Item Number	Power	Size (mm)	Voltage	CCT
VL - 4004	1x6W	Φ90 × H145	AC85 - 265V 50/60Hz	3000K 4000K
VL - 4004	2x6W	Φ90 × H200	AC85 - 265V 50/60Hz	6500K

Material

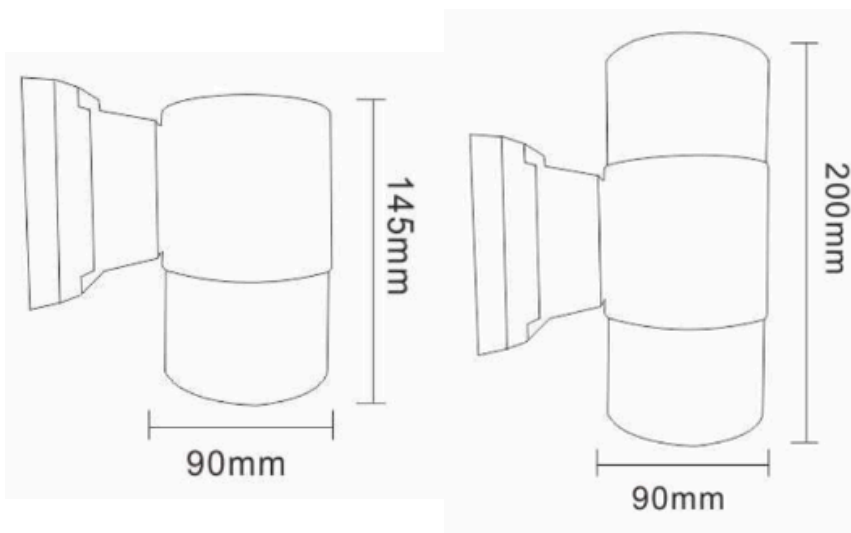
Body : *Die casting Aluminum*

Diffuse : *Glass*



Protection : IP 65

Product Dimension





Color :



Black

VL - 4005

Enviromental Protection

Energy Saving

Simple installation

Item Number	Power	Size (mm)	Voltage	CCT
VL - 4005	1×6W	Φ90 × H145	AC85 - 265V 50/60Hz	3000K 4000K
VL - 4005	2×6W	Φ90 × H200	AC85 - 265V 50/60Hz	6500K

Material

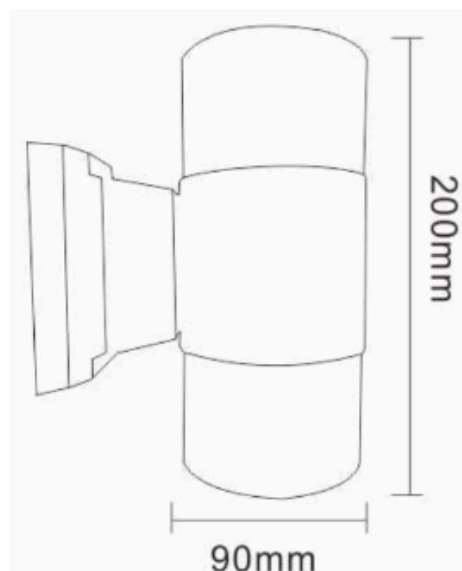
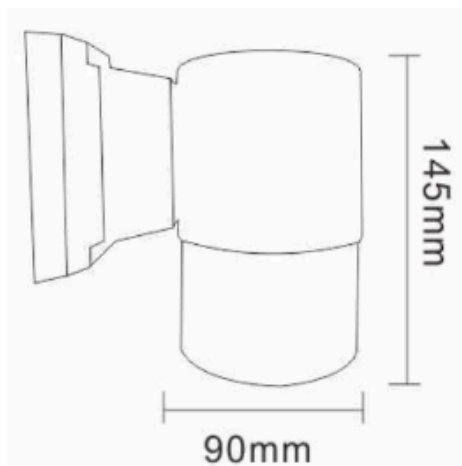
Body : *Die casting Aluminum*

Diffuse : *Glass*



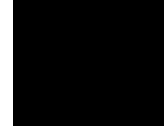
Protection : IP 65

Product Dimension





Color :



Black

VL - 4006

Enviromental Protection

Energy Saving

Simple installation

Item Number	Power	Size (mm)	Voltage	CCT
VL - 4006	1x6W	Φ90 × H145	AC85 - 265V 50/60Hz	3000K 4000K
VL - 4006	2x6W	Φ90 × H200	AC85 - 265V 50/60Hz	6500K

Material

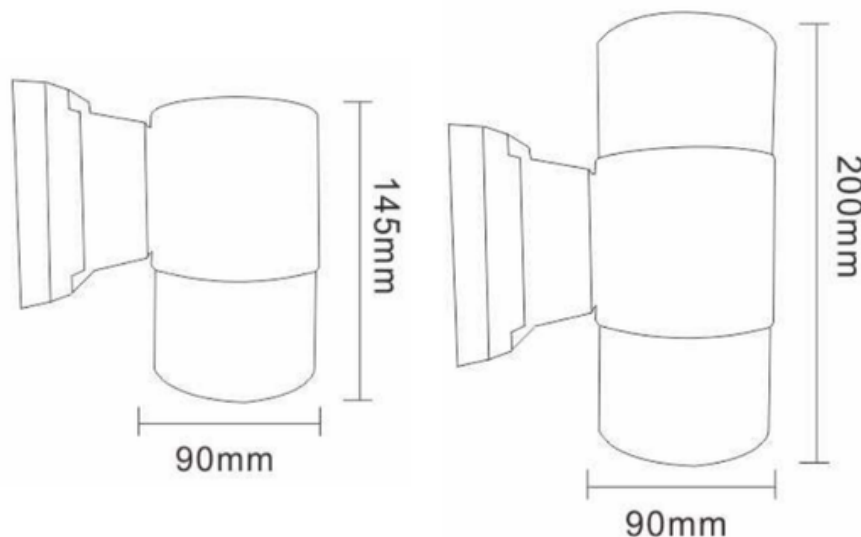
Body : *Die casting Aluminum*

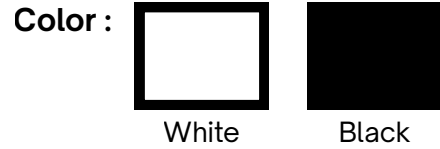
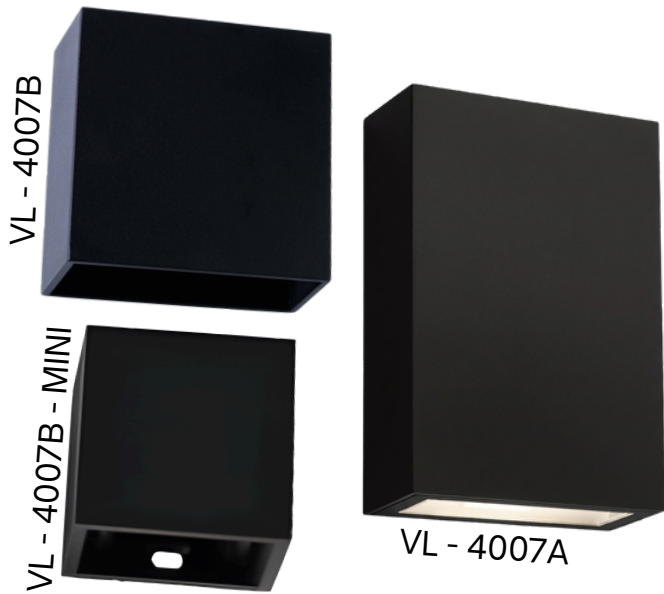
Diffuse : *Glass*



Protection : IP 65

Product Dimension





VL - 4007

No Flicker

High Color Rendering Index

Anti-Glare

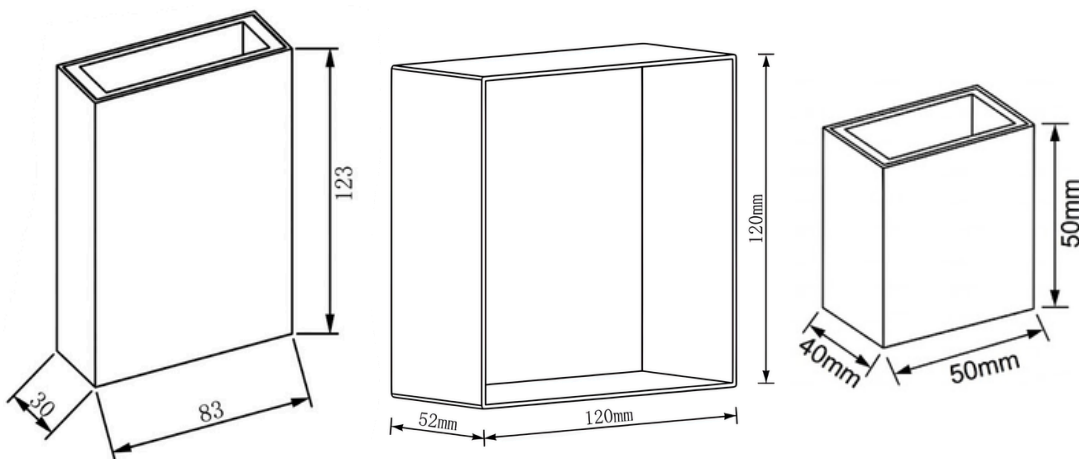
Item Number	Watt	Beam Angle	Voltage	Size (mm)	CCT
VL - 4007A	4W	41°	AC100-240V	83 × 123 × 30	3000K
VL - 4007B	4W	0-75°	AC100-240V	120 × 120 × 52	4000K
VL - 4007B MINI	2W	0-75°	AC100-220V	50 × 50 × 40	6000K

Material

Plastic



Product Dimension





Color :



Black

VL - 4007A

No Flicker

High Color Rendering Index

Anti-Glare

Item Number	Watt	Beam Angle	Voltage	Size (mm)	IP Grading
VL - 4007A BK E27 1LP	E27	/	AC100-220V	L155 × Φ105 × H195	IP 20
VL - 4007A BK E27 2LP	E27	/	AC100-220V	L155 × Φ105 × H330	IP 20

Material

ABS



Product Dimension





Color :



Black

VL - 4007B

No Flicker

High Color Rendering Index

Anti-Glare

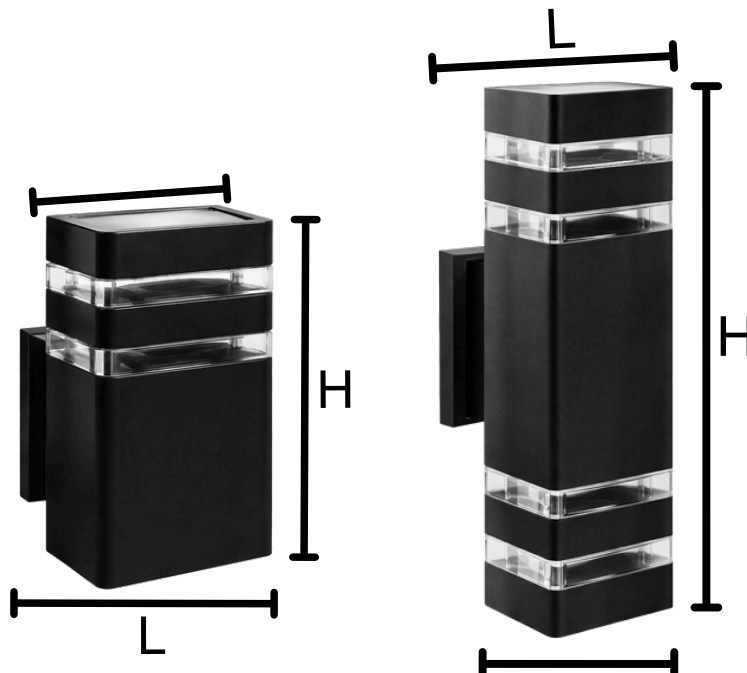
Item Number	Watt	Beam Angle	Voltage	Size (mm)	IP Grading
VL - 4007B BK E27 1LP	E27	/	AC100-220V	L100 × 65 × H187	IP 65
VL - 4007B BK E27 2LP	E27	/	AC100-220V	L130 × 65 × H300	IP 65

Material

ABS



Product Dimension





Color :



Black

VL - 4007C

No Flicker

High Color Rendering Index

Anti-Glare

Item Number	Watt	Beam Angle	Voltage	Size (mm)	IP Grading
VL - 4007C BK E27 1LP	E27	/	AC100-220V	L130 × 100 × H181	IP 65
VL - 4007C BK E27 2LP	E27	/	AC100-220V	L130 × 100 × H288	IP 65

Material

ABS



Product Dimension





VL - 4009S



VL - 4009R

Color :



White



Black

VL - 4009

Environmental Protection

Energy Saving

Simple installation

Item Number	Power	LM	CCT	Voltage	A (mm)	B (mm)	C (mm)
VL - 4009S	2W	180-200	3000K	85-265V 50/60Hz	35	35	85
VL - 4009R	2W	180-200	3000K	85-265V 50/60Hz	40	40	40

Material

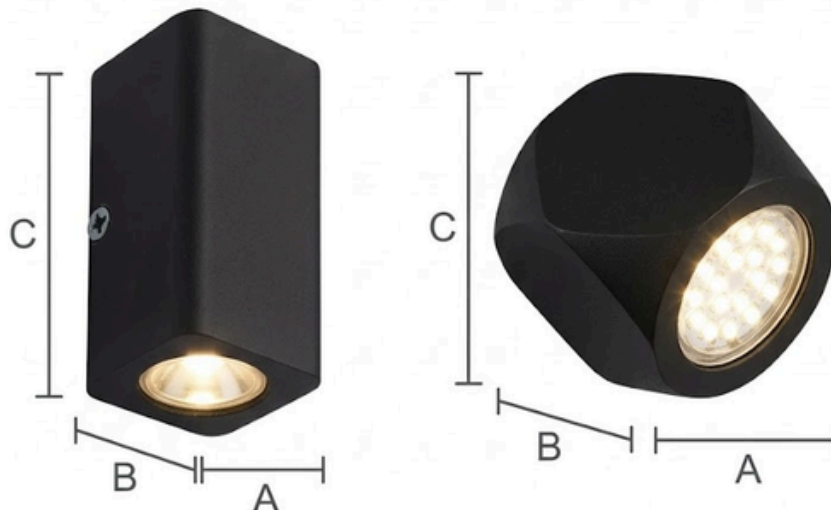
Body : *Die-casting Aluminum*

Powered by : *Bridgelux*



IP 54

Product Dimension



VL - 4010R



Color :



White



Black

VL - 4010

Environmental Protection

Energy Saving

Simple installation

Item Number	Power	LM	CCT	Voltage	A (mm)	B (mm)	C (mm)
VL - 4010R	5W	450-500	3000K	85-265V 50/60Hz	105	105	80

Material

Body : *Die-casting Aluminum*

Powered by : *Bridgelux*



IP 54

Product Dimension



VL - 4011R/S



VL - 4011R/S X2



Color :



White



Black

VL - 4011

No Flicker

High Color Rendering Index

Anti-Glare

Item Number	Watt	Beam Angle	Voltage	Size (mm)	CCT
VL - 4011R/S	5W	149°	AC100-240V	105 × 95 × 87	3000K
VL - 4011R/S X2	2x5W	149°	AC100-240V	105 × 95 × 135	4000K 6000K

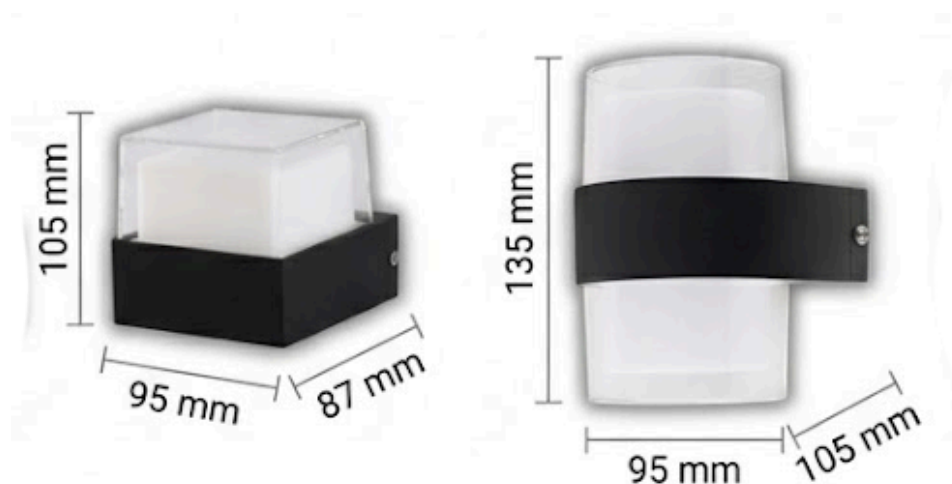
Material

ABS



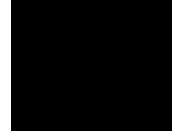
IP Grading : IP 65

Product Dimension





Color :



Black

VL - 4011S

Environmental Protection

Energy Saving

Simple installation

Item Number	Power	LM	CCT	Voltage	L (mm)	W (mm)	H (mm)
VL - 4011S	2x6W	1000-1080	3000K	85-265V 50/60Hz	130	110	90

Material

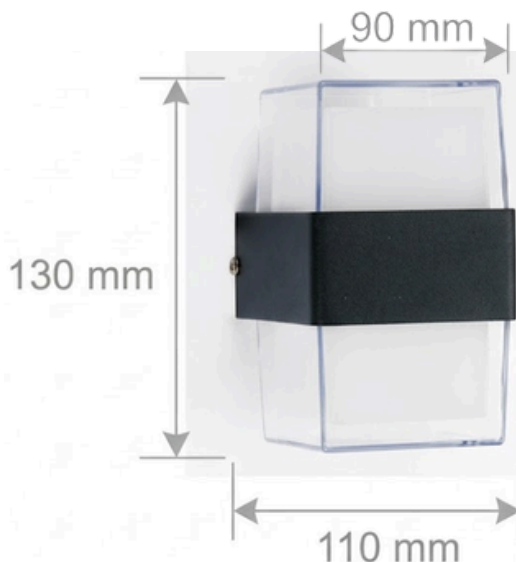
Body : *Die-casting Aluminum*

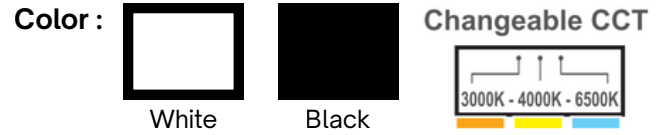
Powered by : *Bridgelux*



IP 54

Product Dimension





VL - 4012

Environmental Protection

Energy Saving

Simple installation

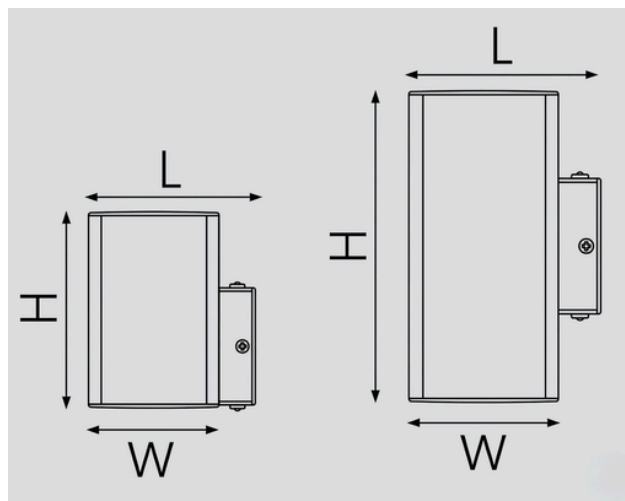
Item Number	Power	LM	CRI	Voltage	L (mm)	W (mm)	H (mm)	CCT
VL - 4012S	9	800	90	220-240V	99	78	117	3000K
VL - 4012S	18	1600	90	220-240V	99	78	162	
VL - 4012R	9	800	90	220-240V	99	78	117	4000K
VL - 4012R	18	1600	90	220-240V	99	78	162	

Material

Body : Die-casting Aluminum



Product Dimension





VL - 4307S



VL - 4307R

Color :



Black

VL - 4307

No Flicker

High Color Rendering Index

Anti-Glare

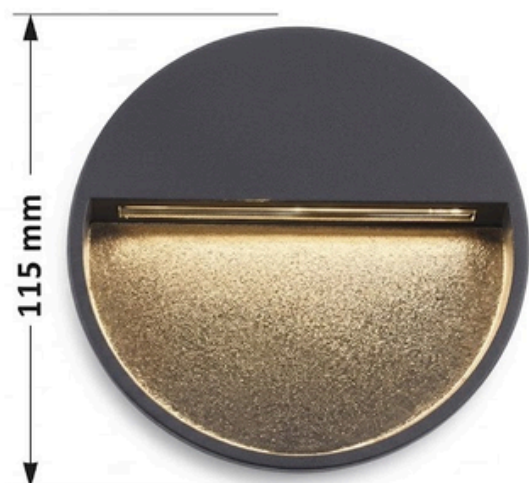
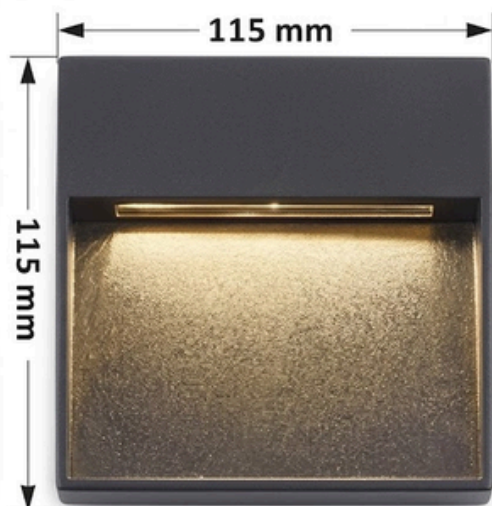
Item Number	Power	IP	Voltage	Size (mm)	CCT
VL - 4307S	3W	65	AC85-265V	115 × 115	3000K
VL - 4307R	3W	65	AC85-265V	Φ115	

Material

Aluminum Product



Product Dimension



VL - 4013A



Color :



Black

VL - 4013B



VL - 4013

No Flicker

High Color Rendering Index

Anti-Glare

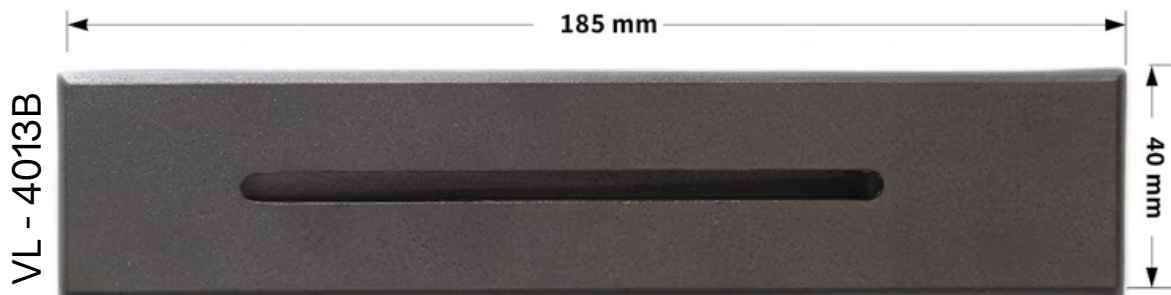
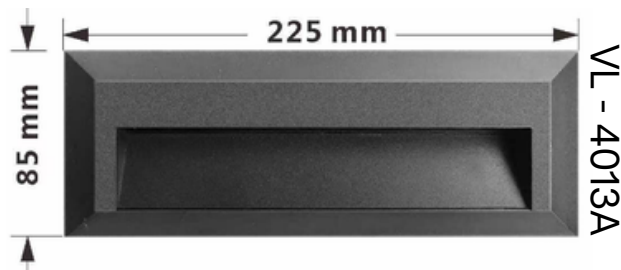
Item Number	Power	IP	Voltage	Size (mm)	CCT
VL - 4013A	5W	65	AC85-265V	225 × 85	3000K
VL - 4013B	3W	65	AC85-265V	185 × 40	

Material

Aluminum Product



Product Dimension





Color :



Black

Changeable CCT



VL - 4013

Environmental Protection

Energy Saving

Simple installation

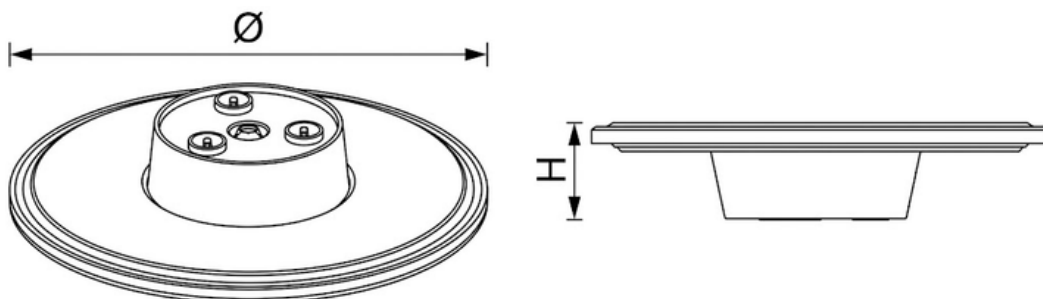
Item Number	Power	LM	CRI	Voltage	L (mm)	H (mm)	CCT
VL - 4013R	9	900	90	220-240V	Φ120	47	3000K
VL - 4013R	12	1200	90	220-240V	Φ180	47	4000K
							6500K

Material

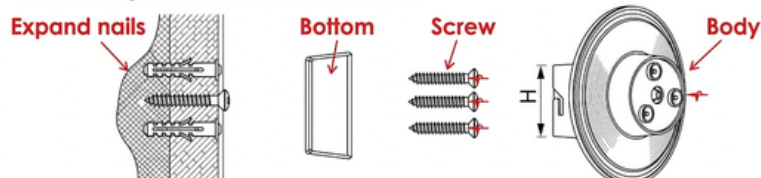
Body : *Die-casting Aluminum*

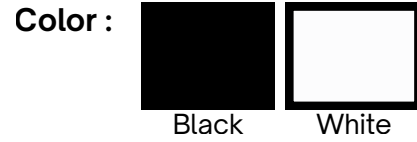


Product Dimension



Wall lamp installation manual





VL - 4015

No Flicker

High Color Rendering Index

Anti-Glare

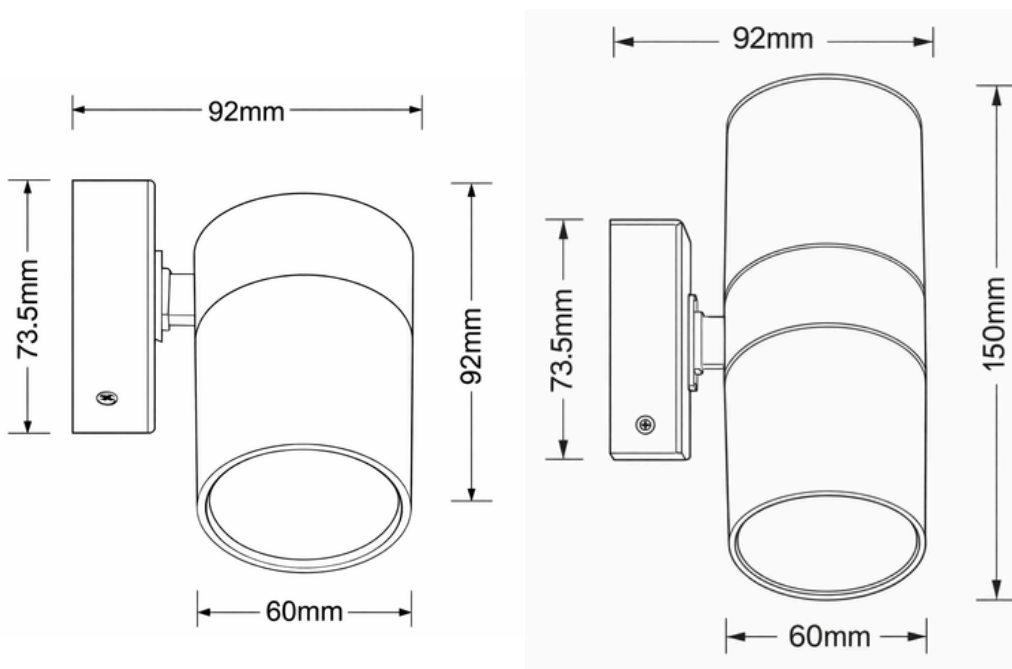
Item Number	Lampholder	IP Grading	Size (mm)	Voltage
VL - 4015	1×GU5.3 (MR16)	IP 65	Φ60 × H92mm	AC100-240V
VL - 4015	2×GU5.3 (MR16)	IP 65	92 × Φ60 × H152mm	AC100-240V

Material

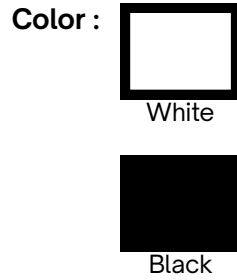
PC



Product Dimension



VL - 4320



VL - 4321



Environmental Protection

Energy Saving

Simple installation

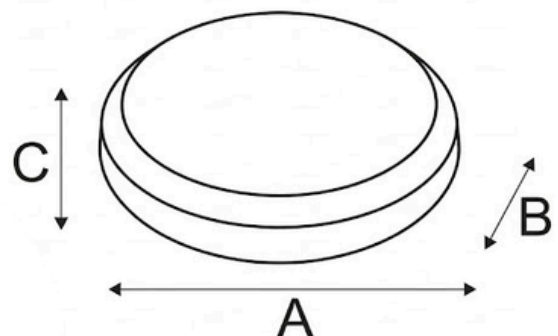
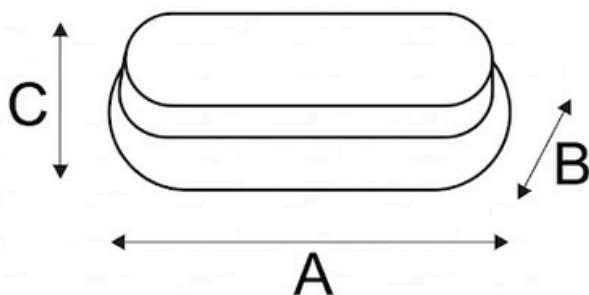
Item Number	Power	LM	Voltage	Protection class	A (mm)	B (mm)	C (mm)	CCT
VL - 4320	15W	1000-1200	AC220V	IP 65	200	100	55	3000K
VL - 4321	15W	1000-1200	AC220V	IP 65	175	175	60	6500K

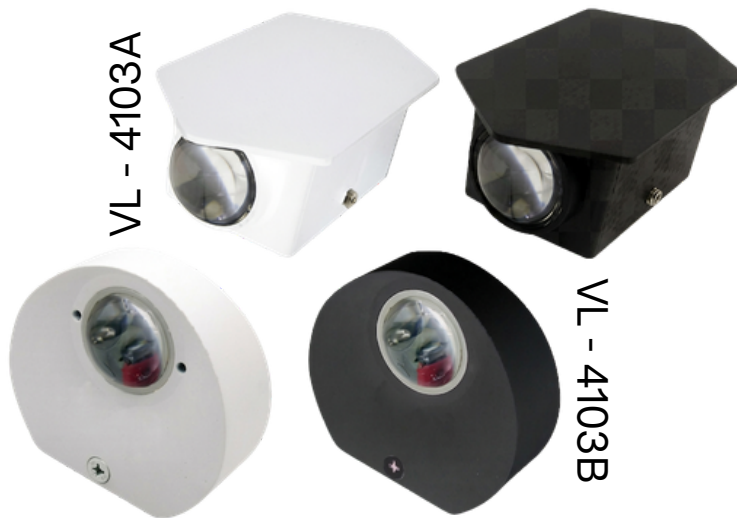
Material

Body : *Aluminum*

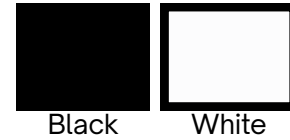


Product Dimension





Color :



VL - 4103

Enviromental Protection

Energy Saving

Simple installation

Item Number	Power	LM	CCT	Voltage	L (mm)	W (mm)	H (mm)
VL - 4103A	2W	100-200	3000K	85-265V 50/60Hz	100	55	37
VL - 4103B	2W	100-200	3000K	85-265V 50/60Hz	75	25	65

Material

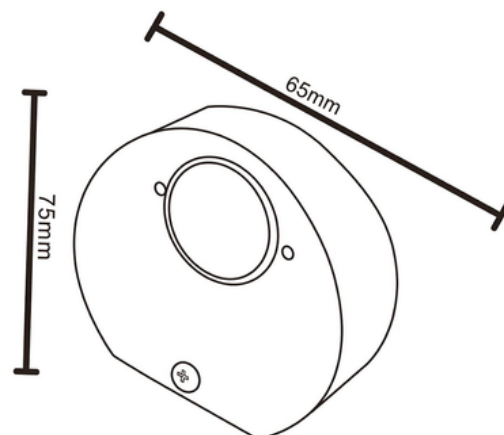
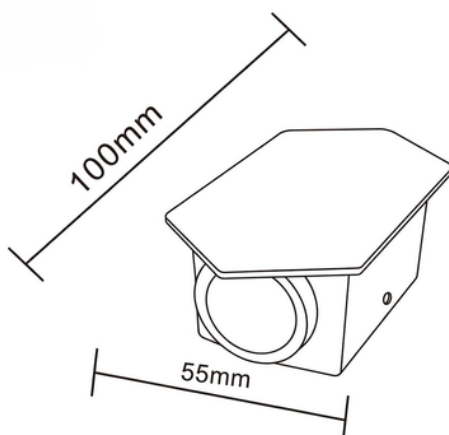
Body : *Die-casting Aluminum*

Powered by : *Bridgelux*



IP 54

Product Dimension





Color :



Black



White

VL - 4104

Enviromental Protection

Energy Saving

Simple installation

Item Number	Power	LM	CCT	Voltage	L (mm)	W (mm)	H (mm)
VL - 4104A	2W	100-200	3000K	85-265V 50/60Hz	75	35	35
VL - 4104B	2W	100-200	3000K	85-265V 50/60Hz	60	45	45

Material

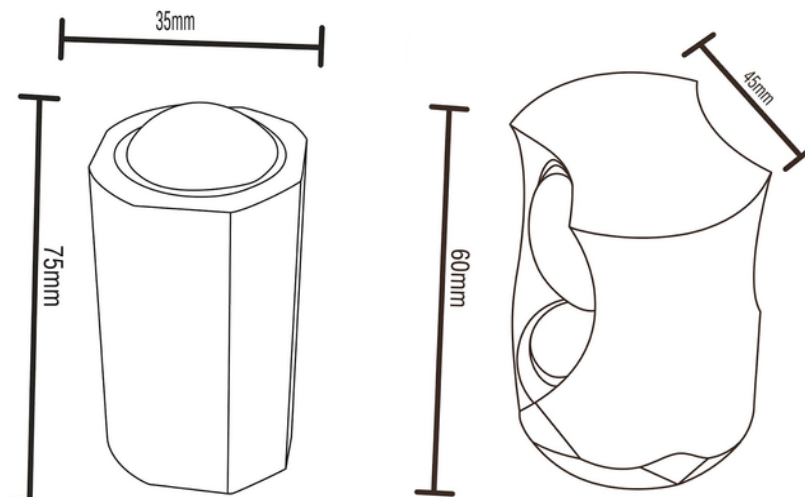
Body : *Die-casting Aluminum*

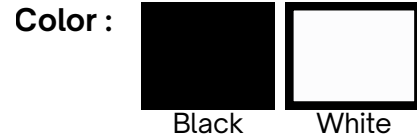
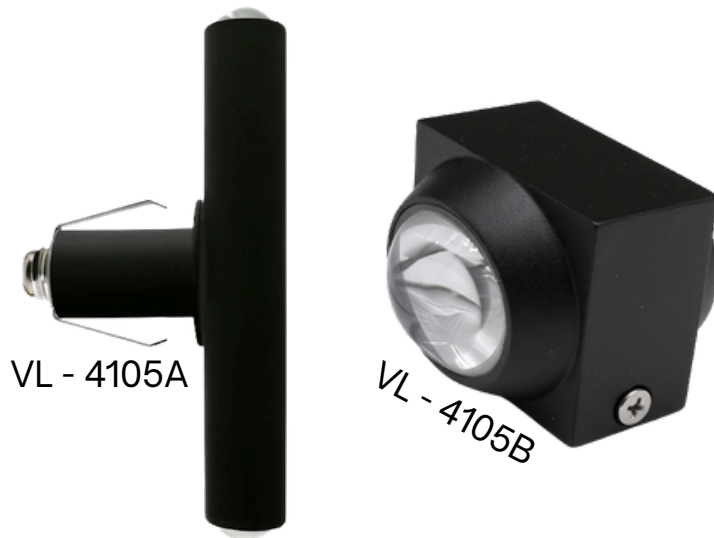
Powered by : *Bridgelux*



IP 54

Product Dimension





VL - 4105

Environmental Protection

Energy Saving

Simple installation

Item Number	Power	LM	CCT	Voltage	L (mm)	W (mm)	H (mm)
VL - 4105A	2W	100-200	3000K	85-265V 50/60Hz	100	25	100
VL - 4105B	2W	100-200	3000K	85-265V 50/60Hz	40	35	35

Material

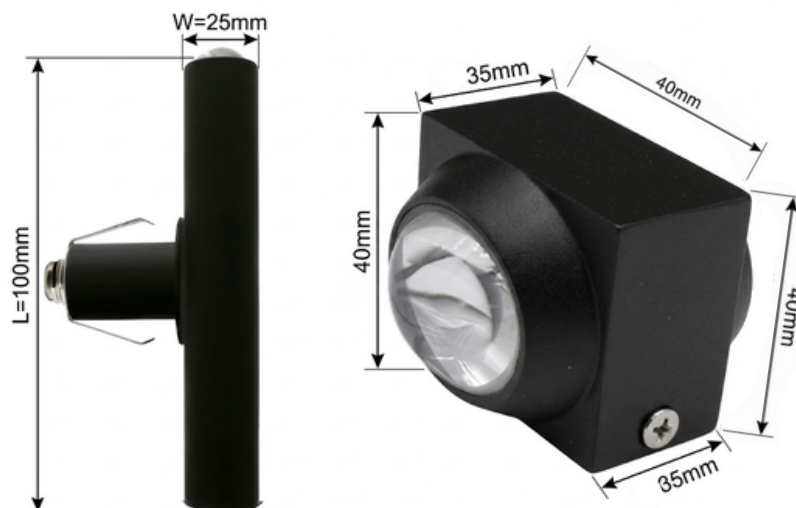
Body : *Die-casting Aluminum*

Powered by : *Bridgelux*



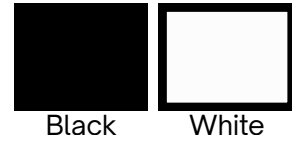
IP 54

Product Dimension





Color :



VL - 4110

Enviromental Protection

Energy Saving

Simple installation

Item Number	Power	LM	CCT	Voltage	L (mm)	W (mm)	H (mm)
VL - 4110A	2W	180-200	3000K	85-265V 50/60Hz	55	45	60
VL - 4110B	4W	360-400	3000K	85-265V 50/60Hz	70	50	70

Material

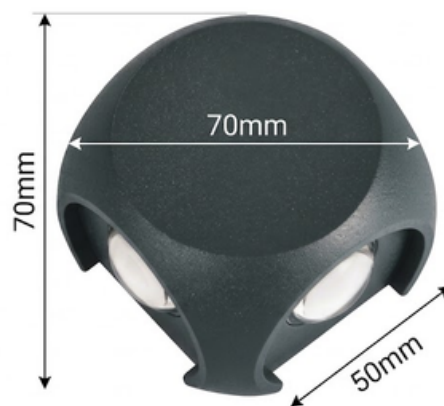
Body : *Die-casting Aluminum*

Powered by : *Bridgelux*



IP 54

Product Dimension





Color : 
Black

VL - 4112

No Flicker

High Color Rendering Index

Anti-Glare

Item Number	Power	Beam Angle	Voltage	Luminous	Led Type
VL - 4112	12W	180°	AC220-240V	600lm	SMD

Material

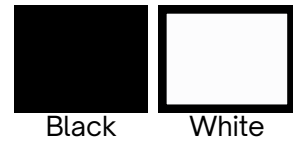
Aluminum + PC

CE RoHS 
Protection Class : IP 65

Surface Finish : 
Black



Color :



VL - 4113

No Flicker

High Color Rendering Index

Anti-Glare

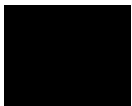
Item Number	Power	Beam Angle	Voltage	Luminous	Led Type
VL - 4113	12W	180°	AC220-240V	750lm	COB

Material

Aluminum + PC

CE RoHS 
Protection Class : IP 65

Surface Finish :



Black



VL - 4128

No Flicker

High Color Rendering Index

Anti-Glare

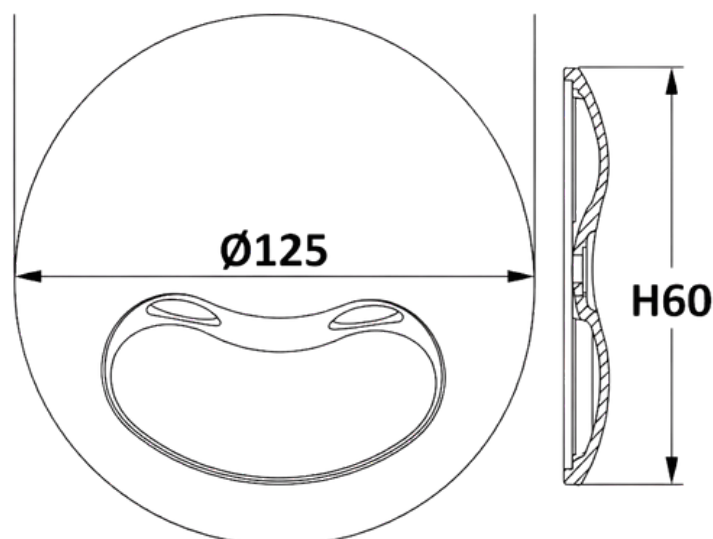
Item Number	Power	Luminous Flux	Chip	Voltage	Size (mm)	CRI	CCT
VL - 4128	2 × 3W	480lm	CREE XPE	220-240V	Φ125 × H60	RA ≥80	3000K 4000K 6000K

Material

Die Casting Aluminum + PC

CE RoHS    
IP : IP 20

Product Dimension



VL - 4130



VL - 4131



No Flicker

High Color Rendering Index

Anti-Glare

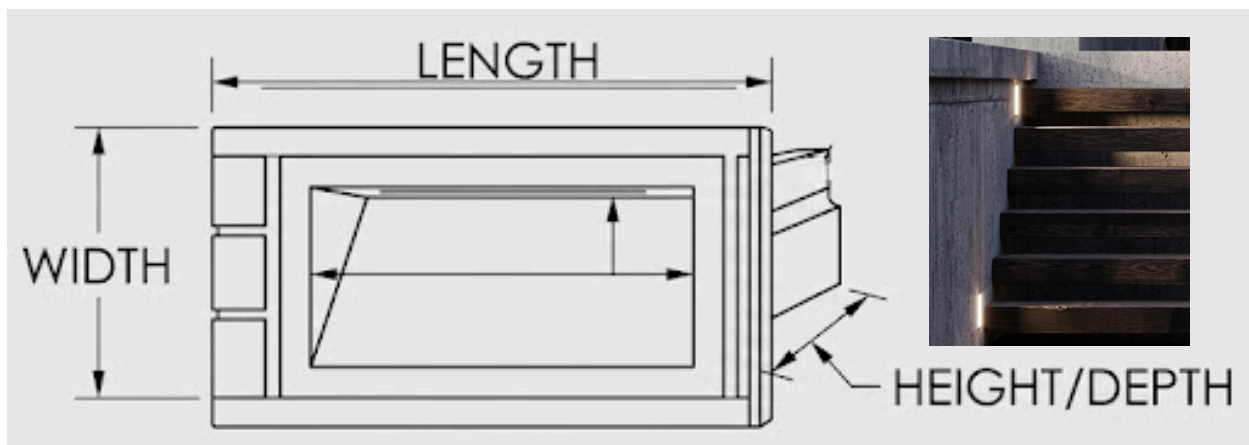
Item Number	Power	Luminous Flux	Chip	Voltage	Size (L×W×H) mm	CRI	CCT
VL - 4130	3W	240lm	Epistar SMD	220-240V	90×51×64	RA ≥80	3000K 4000K
VL - 4131	3W	240lm	Epistar SMD	220-240V	135×51×65	RA ≥80	6000K

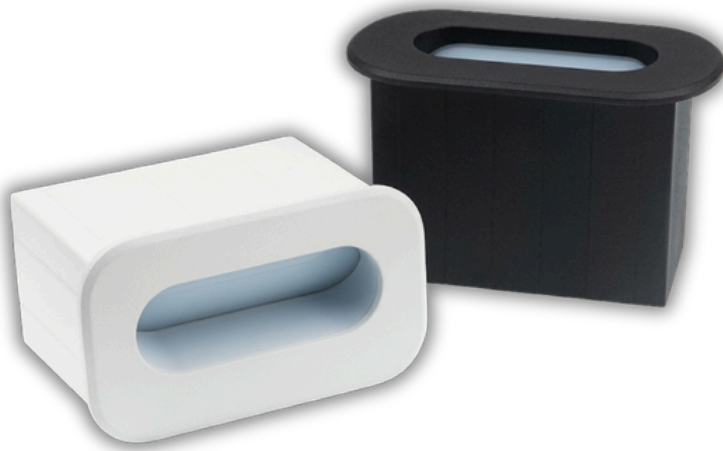
Material

Die Casting Aluminum + PC

CE RoHS    
IP : IP 65

Product Dimension





VL - 4132

No Flicker

High Color Rendering Index

Anti-Glare

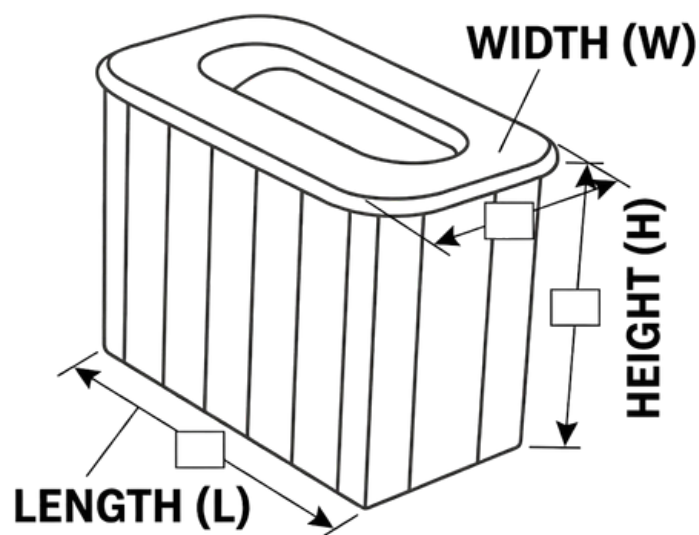
Item Number	Power	Luminous Flux	Chip	Voltage	Size (L×W×H) mm	CRI	CCT
VL - 4132S	3W	240lm	Epistar SMD	220-240V	90×51×64	RA ≥80	3000K 4000K
VL - 4132L	3W	240lm	Epistar SMD	220-240V	135×51×65	RA ≥80	6000K

Material

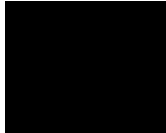
Die Casting Aluminum + PC

CE RoHS 
IP : IP 65

Product Dimension





Color : 
Black

VL - 4302A

No Flicker

High Color Rendering Index

Anti-Glare

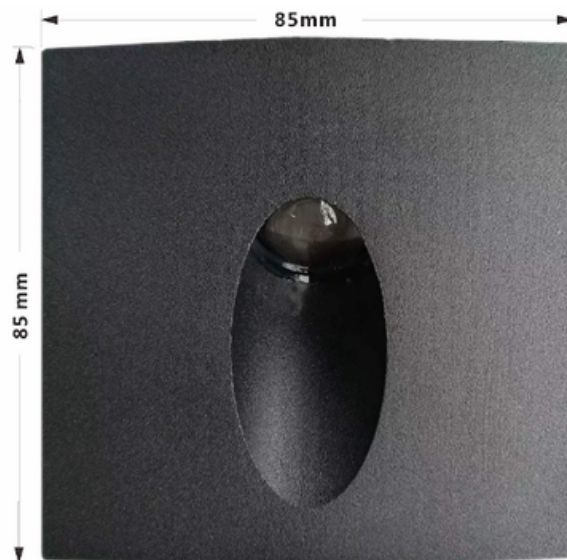
Item Number	Power	IP	Voltage	Size (mm)	CCT
VL - 4302A	3W	65	AC85-265V	85 × 85	3000K

Material

Aluminum Product



Product Dimension





VL - 4303S



VL - 4303B

Color :



Black

VL - 4303

No Flicker

High Color Rendering Index

Anti-Glare

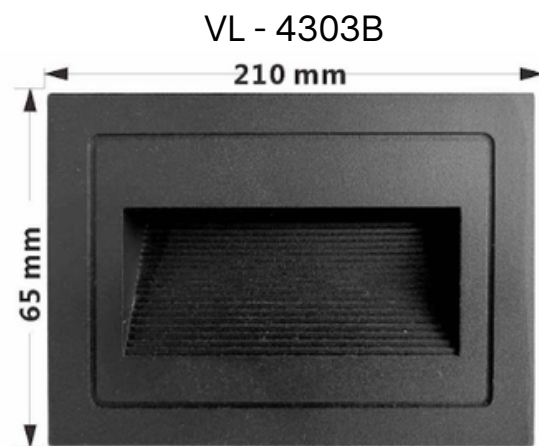
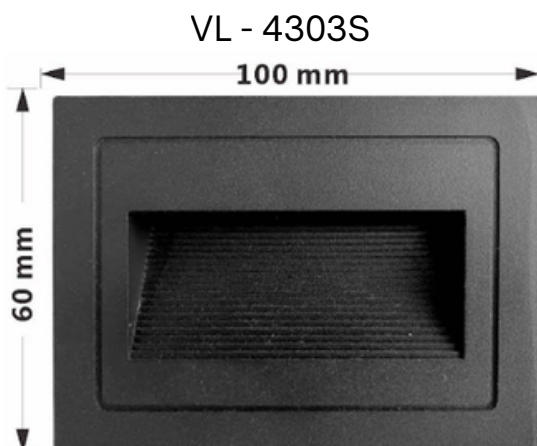
Item Number	Power	IP	Voltage	Size (mm)	CCT
VL - 4303S	3W	65	AC85-265V	100 × 60	3000K
VL - 4303B	5W	65	AC85-265V	210 × 65	

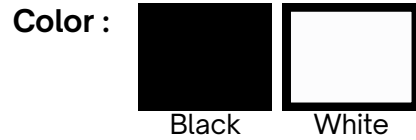
Material

Aluminum Product



Product Dimension





VL - 4304

No Flicker

High Color Rendering Index

Anti-Glare

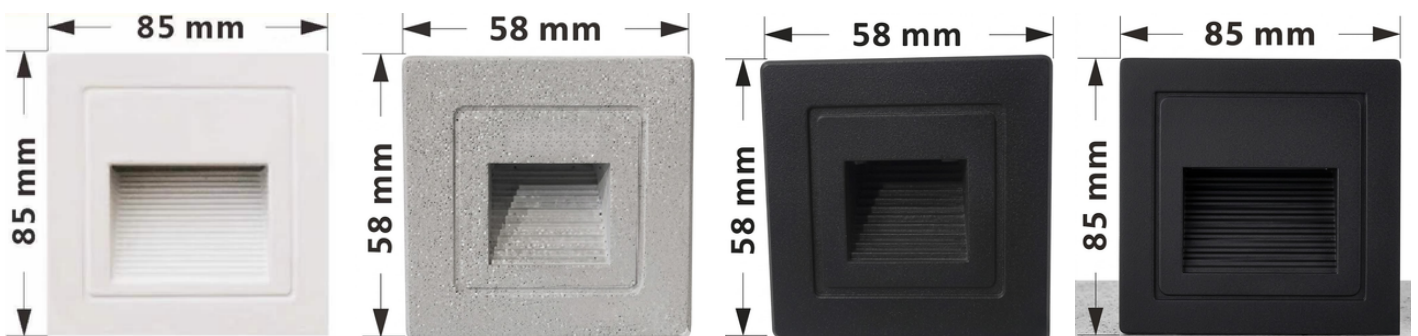
Item Number	Power	IP	Voltage	Size (mm)	CCT
VL - 4304S	3W	65	AC85-265V	58 × 58	3000K
VL - 4304B	3W	65	AC85-265V	85 × 85	

Material

Aluminum Product



Product Dimension





Color :



Black



Gray



White



Gold

VL - 4308

No Flicker

High Color Rendering Index

Anti-Glare

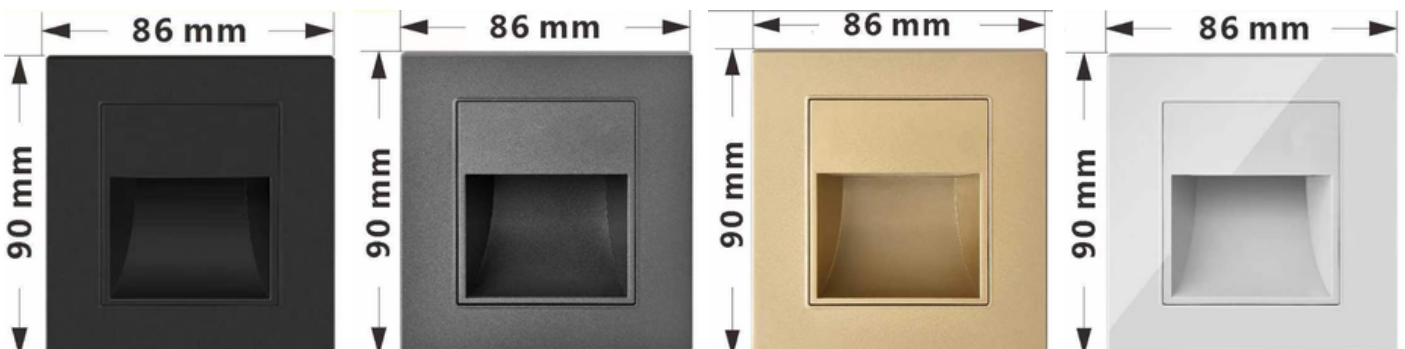
Item Number	Power	IP	Voltage	Size (mm)	CCT
VL - 4308	1W	20	AC180-240V	86 × 90	3000K

Material

Metal frame + PC



Product Dimension





VL - 4305

No Flicker

High Color Rendering Index

Anti-Glare

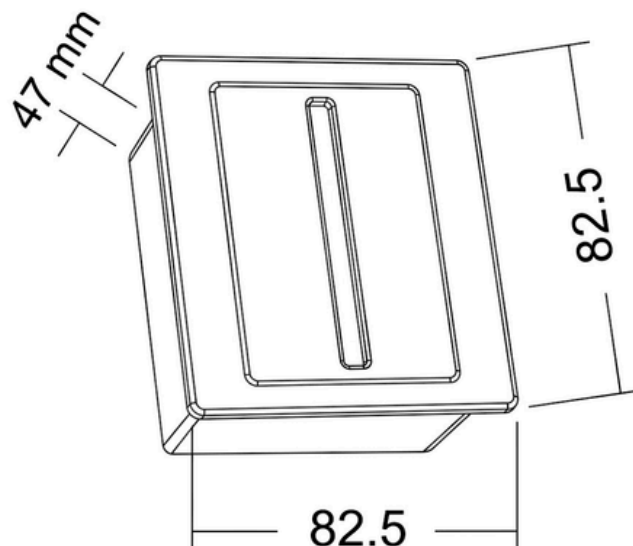
Item Number	Watt	IP Grading	Chip	Voltage	Size (L×W×H) mm	Beam Angle
VL - 4305	3W	IP54	COB Chip	AC100-240V	82.5×82.5×47	45°

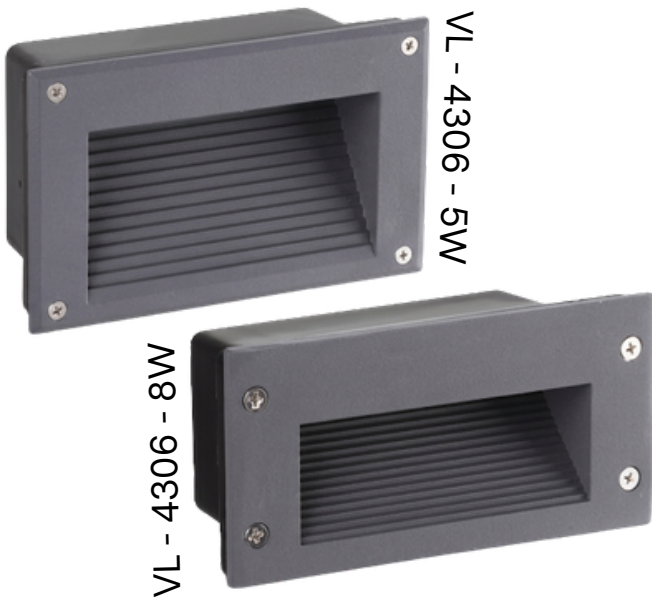
Material

PC + PMMA + Aluminum



Product Dimension





VL - 4306

No Flicker

High Color Rendering Index

Anti-Glare

Item Number	Watt	IP Grading	Chip	Voltage	Size (L×W×H) mm	Beam Angle
VL - 4306	5W	IP54	COB Chip	AC100-240V	145×70×62	30°
VL - 4306	8W	IP54	COB Chip	AC100-240V	162×99×68	30°

Material

Glass + Aluminum



Product Dimension

